



## Model 6C00

### End-of-Line Flame Arrestor

### Deflagration and Endurance Burn Proof

#### **OBJECTIVE**

The Model 6C00 end-of-line deflagration and endurance burn proof flame arrestor is a device that can be fitted directly on a vessel, tank vent nozzle, or on the end of a vent line. Its primary function is to allow the flow of gases or vapor of flammable liquids through the enclosure, but prevent the transmission of a flame from the outside. The element inside the housing provides an extinguishing barrier to the ignited vapor mixture by absorbing heat from the flame. The Model 6C00 is used as an independent safety system to ensure explosion protection.

#### **TECHNIQUE**

6C00 flame arrestors are designed on the principle of "quenching gap". The crimped SST metal element allows vapor to pass through in order to allow a vessel to breathe, yet prevents the propagation of a flame from the exposed side to the protected side. The 6C00 Model protects against endurance burning exclusively for pure hydrocarbons.

#### **CONSTRUCTION**

**Housing Material:** Carbon Steel, Stainless Steel.

**Trim Material:** Stainless Steel (1.4571) element.

#### **SPECIAL FEATURES**

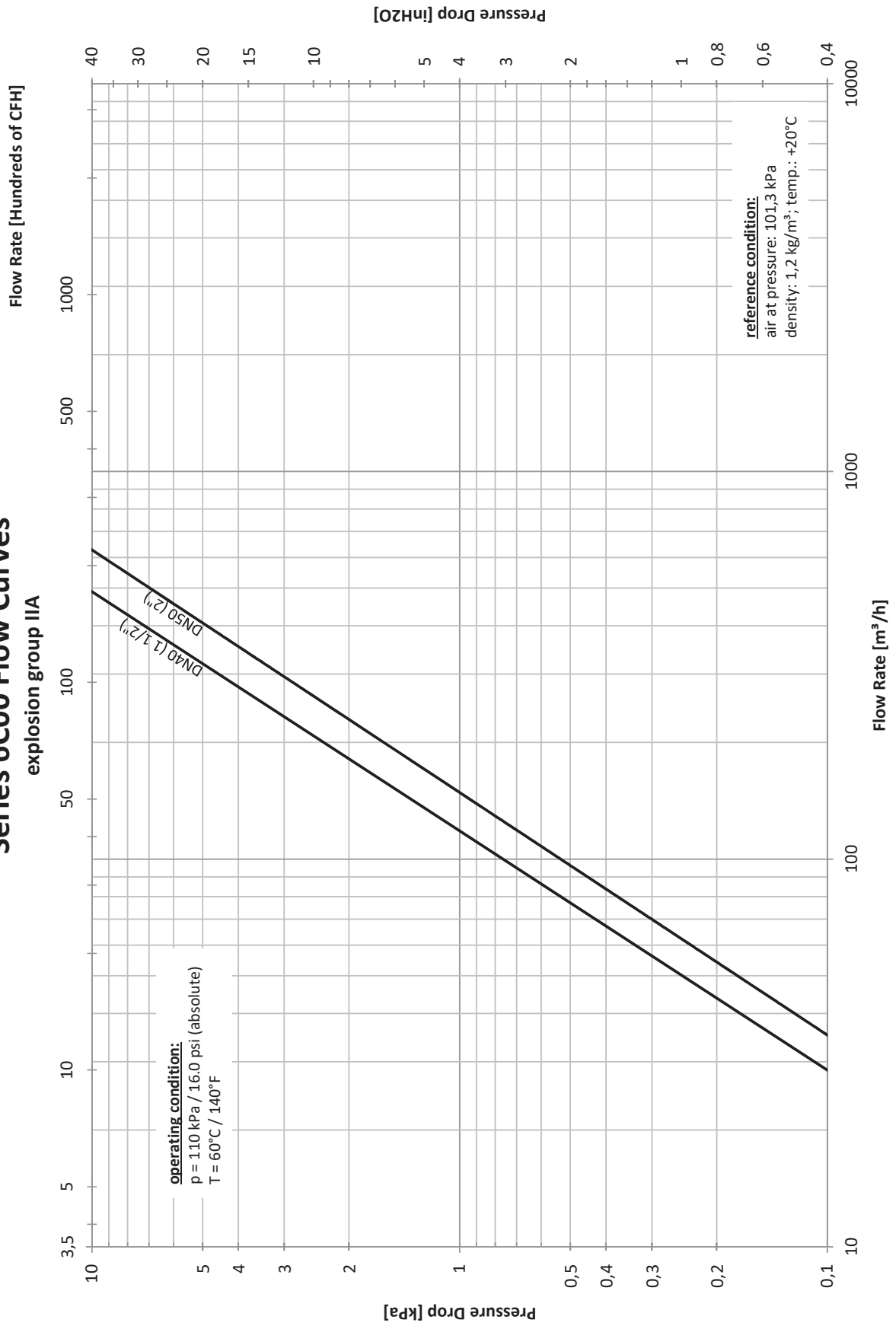
The Model 6C00 is designed, manufactured, and tested according to Directive 2014/34/EU (ATEX114) and ISO 16852.

**Easy Maintenance:** The Model 6C00 deflagration flame arrestor is a passive device with no moving parts. The flame cell element can be easily removed for inspection and cleaning in appropriate solvent solution.

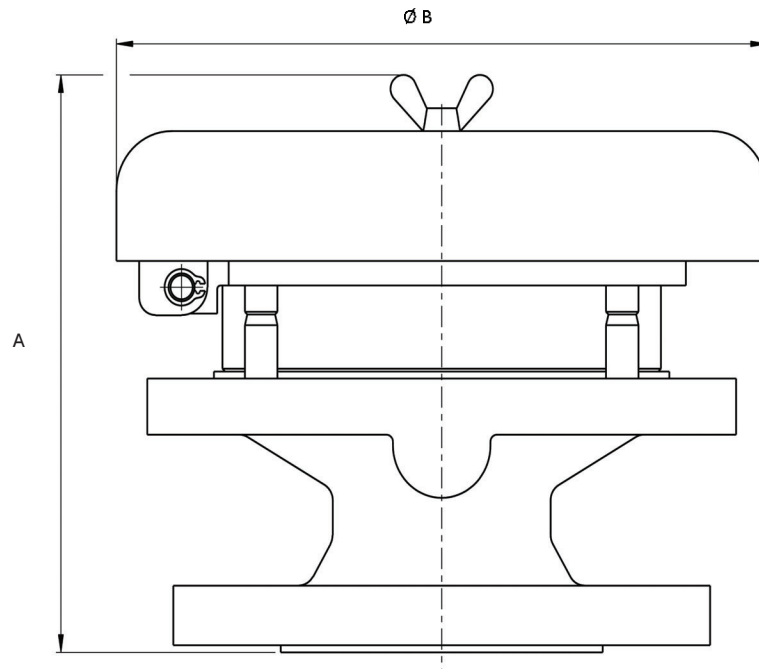
**Sizes:** Units are available in DN40, DN50 (1-1/2", 2") line sizes; thread connections according to ISO7/1 or ASME B1.20.1. Standard for flange connections to EN1092-1 PN10, ASME B16.5 150#RF.

# Series 6C00 Flow Curves

explosion group IIA



## DIMENSIONS & WEIGHTS



Metric Units		
DIN, ASME (*)	A	Ø B
DN40	165	200
DN50	165	200
(*) DIN (PN10) Flange, ASME 150RF Flange		

English Units		
DIN, ASME (*)	A	Ø B
1-1/2"	6.5	7.9
2"	6.5	7.9
(*) DIN (PN10) Flange, ASME 150RF Flange		

The contents of this publication are presented for informational purposes only, and while every effort has been made to ensure their accuracy, they are not to be construed as warranties or guarantees, express or implied, regarding the products or services described herein or their use or applicability. We reserve the right to modify or improve the designs or specifications of such product at any time without notice. Cashco, Inc. does not assume responsibility for the selection, use or maintenance of any product. Responsibility for proper selection, use and maintenance of any Cashco, Inc. product remains solely with the purchaser.

# 6C00 Series PRODUCT CODER

12/20/22



POSITION 3 & 4 - SIZE/ EXPLOSION GROUP	
Size metric (in)	IIA <b>CODE</b>
DN40 (1-1/2")	<b>4E</b>
DN50 (2")	<b>4F</b>

POSITION 5 - OPERATING CONDITION				
Explosion Group	Size	P <sub>max.</sub> absolute in kPa (psi)	T <sub>max.</sub> °C (°F)	<b>CODE</b>
IIA	DN40-50	110 (16)	≤ 60 (140)	<b>1</b>

POSITION 7 & 8 - CASING / ELEMENT / RIM MATERIALS	
Material	<b>CODE</b>
Stainless Steel (1.4571)	<b>0C</b>

POSITION 9 - HOOD MATERIALS	
Material	<b>CODE</b>
Stainless Steel	<b>2</b>

POSITION 10 & 11 - HOUSING MATERIALS - CONNECTION		
(Flanged) Sizes DN40 - 50 (1-1/2" - 2")	DIN (PN10)	ASME(150#RF)
	<b>CODE</b>	
Carbon Steel (1.0619)	<b>37</b>	<b>39</b>
Stainless Steel (1.4581)	<b>97</b>	<b>99</b>

POSITION 12 - PORTS	
Number / Location	<b>CODE</b>
Without ports	<b>1</b>

POSITION 13 - BOLTING MATERIAL	
Material	<b>CODE</b>
A4 Stainless Steel	<b>3</b>

POSITION 16 - NAME PLATE	
Material / Language	<b>CODE</b>
Alum / German	<b>7</b>
Alum / English	<b>8</b>

POSITION 18 - PAINT	
Color	<b>CODE</b>
No Paint (Only Stainless Steel)	<b>0</b>
Epoxy (Standard) Signal Blue (RAL5005)	<b>1</b>
Hempadur (Off-shore) Flame Red (RAL3000)	<b>9</b>

Cashco, Inc.  
P.O. Box 6  
Ellsworth, KS 67439-0006  
PH (785) 472-4461  
Fax. # (785) 472-3539  
www.cashco.com  
email: sales@cashco.com  
Printed in U.S.A. 6E00-TB

Cashco GmbH  
Handwerkerstrasse 15  
15366 Hoppegarten, Germany  
PH +49 3342 30968 0  
Fax. No. +49 3342 30968 29  
www.cashco.com  
email: germany@cashco.com

Cashco do Brasil, Ltda.  
Al.Venus, 340  
Indaiatuba - Sao Paulo, Brazil  
PH +55 11 99677 7177  
Fax. No.  
www.cashco.com  
email: brazil@cashco.com