

# MODEL CA1/SA1

## CA1 and SA1 - ULTRA HIGH PURITY, SPRING LOADED PRESSURE REDUCING REGULATORS

### SECTION I

#### I. DESCRIPTION AND SCOPE

Models CA1/SA1 are pressure reducing regulators used to control downstream (outlet or P2) pressure. Sizes are 3/4" (DN20), 1" (DN25), 1-1/2" (DN40), and 2" (DN50). With proper trim utilization, the unit is suitable for liquid or gaseous service. **(NOTE: This product was formerly identified as a Model C1 or S1; a Model CA1/SA1 and C1/S1 are one and the same product.)**

### SECTION II

#### II. REFERENCES

Refer to Technical Bulletin CA1/SA1-TB for technical specifications of a Model CA1/SA1 regulator.


#### ABBREVIATIONS

CCW	-	Counter Clockwise
CW	-	Clockwise
ITA	-	Inner Trim Assembly

### SECTION III


**CAUTION**

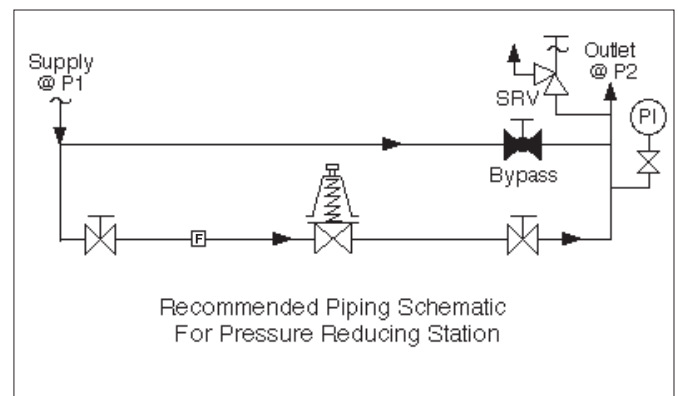
Installation of adequate overpressure protection is recommended to protect the regulator and all downstream equipment from damage in the event of regulator failure.


**CAUTION**

**DO NOT HYDROSTATIC TEST THROUGH AN INSTALLED UNIT; ISOLATE REGULATOR FROM TEST.** The upper range spring pressure level on the nameplate is the recommended "upper operating limit" for the sensing diaphragm. Higher pressures could cause internal damage. In addition, note on the nameplate that the Inlet and Outlet pressure and temperature ratings are at different levels.

#### III. INSTALLATION

1. Install per direction of flow arrow indicated on body, or "IN" and "OUT" markings.
2. Regulator may be rotated around pipe axis 360 degrees. For ease of maintenance, the recommended orientation is with the spring chamber (4) upwards.
3. Provide space below, above, and around regulator for removal of parts during maintenance.
4. Install block valves and pressure gauges to provide means for adjustment, operation, bypass, or removal of the regulator. A UHP filter is recommended before inlet to remove typical pipeline debris from entering valve and damaging internal "soft goods", primarily the dynamic seal and valve seat.



## SECTION IV

### IV. PRINCIPLE OF OPERATION

1. Movement occurs as pressure variations register on the diaphragm. The registering pressure is the outlet, P2, or downstream pressure. The range spring opposes diaphragm movement. As outlet pressure drops, the range spring pushes the diaphragm down, opening the port; as outlet pressure increases, the diaphragm pushes up and the port opening closes.
2. A complete diaphragm failure will cause the regulator to fail open and fluid will discharge from the spring chamber vent hole.

## SECTION V

### V. STARTUP

- 1 Start with the block valves closed.
2. Relax the range spring by turning the adjusting screw (1) CCW (viewed from above) a minimum of three (3) full revolutions. This reduces the outlet (downstream) pressure set point.
3. If it is a “hot” piping system, and equipped with a bypass valve, slowly open the bypass valve to preheat the system piping and to allow slow expansion of the piping. Closely monitor outlet (downstream) pressure via gauge to ensure not over-pressurizing. **NOTE: If no bypass valve is installed, extra caution should be used in starting up a cold system; i.e. do everything slowly.**
4. Crack open the outlet (downstream) block valve.
5. Slowly open the inlet (upstream) block valve to about 25% open, observing the outlet (downstream) pressure gauge. Determine if the regulator is flowing. If not, slowly rotate the regulator adjusting screw (1) CW (viewed from above) until flow begins.
6. Continue to slowly open the inlet (upstream) block valve until fully open.
7. Continue to slowly open the outlet (downstream) block valve, especially when the downstream piping system isn't pressurized. If the outlet (downstream) pressure exceeds the desired pressure, close the inlet block valve and go to Step 2. Close bypass valve approximately 25%, and repeat procedure.
8. When flow is established steady enough that the outlet (downstream) block valve is fully open, begin to slowly close the bypass valve if installed.
9. Develop system flow to a level near its expected normal rate, and reset the regulator set point by turning the adjusting screw (1) CW to increase outlet pressure, or CCW to reduce outlet pressure.
10. Reduce system flow to a minimum level and observe pressure set point. Outlet pressure will rise from the set point of Step 9. The maximum rise in outlet pressure on decreasing flow should not exceed the stated upper limit of the range spring by greater than 10%. If it does, consult factory.



### CAUTION

**Do not walk away and leave a bypassed regulator unattended!**

### VI. SHUTDOWN

1. Shutoff inlet block valve.
2. Allow sufficient time for the line pressure downstream of the inlet block valve to bleed down.
3. Shutoff the outlet block valve.
4. Relieve the trapped upstream and downstream pressure.
5. The regulator may now be disassembled for inspection and preventative maintenance while in-line.

## SECTION VII

### VII. MAINTENANCE

#### A. General:

1. The regulator may be serviced without removing the regulator from pipeline. The regulator is designed with quick-change trim to simplify maintenance.
2. Record the nameplate information to requisition spare parts for the regulator. The information should include: Size, Product Code, and Serial Number.
3. Refer to Section IX for recommended spare parts. Only use original equipment parts supplied by Cashco for rebuilding or repairing regulators.
4. Owner should refer to owner's procedures for removal, handling, cleaning and disposal of nonreusable parts, i.e. seals, etc.
5. The Inner Trim is removed and replaced in the body (23) as an assemblage of parts. The Inner Trim Assembly, hereinafter called **ITA**, consists of the following parts:

Item No.	Dynamic Seal Type	Part Description
13	All	Piston-Guide Bearing
15	All	Cage O-ring Seal
16	UC	Shim
19	All	Cage
20	All	Valve Plug
21	All	Seat Ring
27	All	Dynamic Side Seal
27.1	CP	Cap Seal
27.2	CP	O-ring Energizer/Seal
27.3	UC	U-Cup Seal w/Metal Energizer

6. A detailed view of the dynamic side seal parts is shown in Figure 1; an assembled ITA in Figure 2; and a cross-sectional drawing of the entire regulator is shown in Figure 3.

WARNING

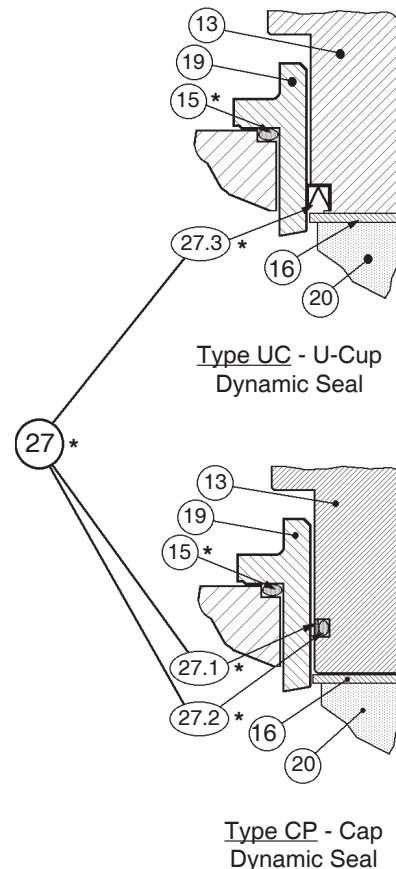
**SYSTEM UNDER PRESSURE. Prior to performing any maintenance, isolate the regulator from the system and relieve all pressure. Failure to do so could result in personal injury.**

#### B. Main Regulator Disassembly:

1. Shut down the system in accordance with Section VI.
2. Loosen adjusting screw lock nut (2) and relax range spring (6) pressure by turning adjust-

ing screw (1) CCW (viewed from above) until removed from spring chamber (4).

3. Loosen the diaphragm flange bolts (12) and nuts (11) uniformly. Remove all bolting.
4. Place matchmarks on body (23) and spring chamber (4) flanges. Remove the spring chamber (4) by lifting vertically.
5. Remove the washers (14), spring follower (5) and range spring (6).
6. Remove upper diaphragm pressure plate (8).
7. Remove diaphragm(s) (9) and examine to determine if failed. If diaphragms failed, determine if operating conditions are exceeding designed pressure or temperature limits.
8. Evenly loosen the three cage cap screws (18) in single revolution increments. The regulator contains a lower return spring (22); the ITA should rise as the cage cap screws (18) are backed out evenly. A downward holding force should be applied to the top of the piston-guide bearing (13) to prevent the ITA from popping up as the last threads of the cage cap screws (18) are disengaged. Remove washers (17).

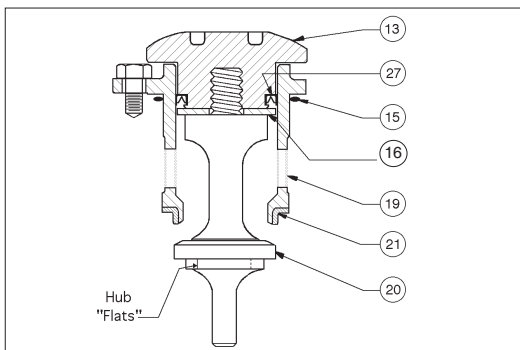


**Figure 1: Dynamic Side Seals**

9. Remove the ITA by pulling up on the piston-guide bearing (13). Set ITA aside.
10. Remove the lower return spring (22) from within the body (23).
11. Remove the cage o-ring seal (15).
12. Remove metal C-ring seal (28) from body (23) diaphragm flange groove.
13. Clean all metal parts to be reused according to owner's procedures. **NOTE: Regulators are originally supplied with a level of cleanliness equal to Cashco cleaning standard #S-1662. Contact factory for details.**

### C. Disassembly of the ITA:

1. To Disassemble the ITA (See Figure 2):
  - a. Hold the lower part of the valve plug (20) in a bench vise; grasp in "smooth jaws" directly under plug's (20) seating disc portion on hub "flats" provided. Do not hold on the machined surface in the plug's (20) spindle area.



**Figure 2:** Assembled ITA, with "UC" Dynamic Side Seal

- b. Using a special double-posted spanner wrench fitting (to order see NOTE in Section IX, Parts Ordering Information), turn the piston-guide bearing (13) CCW to loosen. The piston-guide bearing (13) may be removed by hand after loosening.
- c. Remove ITA from vise. Pull the valve plug (20) down and out through the cage's (19) bottom opening.
- d. Examine the components (27.1, 27.2, 27.3) of the dynamic side seal (27) mechanism to determine if significant leakage was occurring. If the dynamic side seal shows signs of significant leakage, determine if operating conditions are exceeding pressure, pressure drop, or temperature limits.

- e. Remove dynamic side seal (27) components and discard. Special care should be taken when using "tools" to remove the components to ensure that no scratches are made to any portion of the piston-guide bearing (13) groove.
- f. Remove the shim (16) from within the cage (19).
- g. Remove seat ring (21); examine for signs of leakage. If seat ring (21) shows signs of significant leakage, determine if operating conditions - pressure, pressure drop, or temperature exceed design limits.

2. Clean all metal parts to be reused according to owner's procedures. **NOTE: Regulators are originally supplied with a level of cleanliness equal to Cashco cleaning standard #S-1662. Contact factory for details.**

### D. Inspection of Parts:

1. Remove and discard the following parts: o-ring (15), diaphragm(s) (9), seals (27, 28), and seat ring (21). These parts **MUST** be replaced with factory supplied new parts.
2. Inspect the metal parts that will be reused. The parts should be free of surface contaminants, burrs, oxides, and scale. Rework and clean the parts as necessary. Surface conditions that affect the regulator performance are stated below; replace parts that can not be reworked or cleaned.
3. QC Requirements:
  - a. Valve plug (20);
    1. 16 rms finish on its seating surface for tight shutoff.
    2. No major defects on bottom guide spindle.
  - b. Cage (19);
    1. 16 rms finish on cylinder bore. No "ledges" formed due to wear from moving dynamic side seal (27) or plug (20).

### E. Reassembly of the ITA:

1. Installation of dynamic side seal (27) (See Figure 1):
  - a. Type CP:
    1. Stretch o-ring energizer/seal (27.2) over lower circumference of piston-guide bearing (13), taking care not to "cut" o-ring energizer/seal. Using thumbs, work the o-ring energizer/

seal (27.2) into the groove of the piston-guide bearing (13).

**NOTE:** Use NO lubricants!

2. Position cap seal (27.1) ring with rectangular cross-section at end of piston-guide bearing (13). Stretch cap seal over lower end of piston-guide bearing (13) using thumbs to work the cap seal onto the piston-guide bearing. **DONOT USE A TOOL FOR THIS STEP.** Continue pressing cap seal (27.1) upwards towards the groove until the cap seal “snaps” into the groove of the piston-guide bearing.
3. Insert shim (16) into cage (19) and allow to rest inside the cage.
4. Position piston-guide bearing (13) over and into upper end of cage (19) until the cap seal (27.1) edge touches the upper lip of the cage. While gently applying force to press the piston-guide bearing (13) into the cage (19), simultaneously use fingers to lightly press the cap seal (27.1) inwards into the groove of the piston-guide bearing until the cap seal “slips into” the cage (19). **DO NOT** use tools or lubricant to engage the cap seal (27.1) into the cage (19). **DO NOT** press downward on piston-guide bearing (13) too hard or fast - the cap seal (27.1) may slide out of its groove and become damaged.

b. Type UC:

1. Position u-cup seal (27.3) over lower circumference of piston-guide bearing (13). Ensure the u-cup seal is oriented with the center-open-downwards as shown in Figure 1, as the u-cup seal depends upon the P1-Inlet pressure to activate proper sealing action.
  2. Insert shim (16) into cage (19) and allow to rest inside the cage.
  3. Position piston-guide bearing (13) over and into upper end of cage (19) until the cap seal (27.1) edge touches the upper lip of the cage. Gently apply downward force to press the piston-guide bearing (13) into the cage (19). **DONOT** use tools, lubricant, or heavy force to engage the u-cup seal (27.3) into the cage.
2. Place properly oriented seat ring (21) onto its shoulder at the lower end of cage (19).

3. Completion of ITA Reassembly.

- a. Insert valve plug (20) upwards through lower end of cage (19) and through the center hole of shim (16).
- b. Engage valve plug (20) with piston-guide bearing (13) threads and finger tighten.
- c. Place ITA into a vise with smooth jaws and grasp at hub “flats” location on the valve plug (20) that is not in the “spindle” zone. (See Figure 2.)
- d. Using a special double-posted spanner wrench fitting (to order see NOTE in Section IX, Parts Ordering Information), tighten the piston-guide bearing (13) to the valve plug (20) with the following torque values. Do NOT allow valve plug (20) to rotate against seat ring (21) during tightening.
- e. This completes ITA reassembly.

Body Size	Ft-lbs.	(Nm)
3/4"-1"	40-50	(54-68)
1-1/2"-2"	70-80	(95-108)

F. **Main Regulator Reassembly:**

1. Insert the return spring (22) into the body (23).
2. Fit cage O-ring seal (15) into the body (23) groove.
3. With the ITA held manually in the closed position, insert ITA and cage (19) into body (23).
4. Properly align all three cage bolt (18) holes as there is only one proper alignment possible. Apply a downward force to the top of the cage (19) until the ITA is lowered sufficiently to engage the cage bolts (18) with washers (17) into the body (23). Engage all of the cage bolts, then tighten the cage bolts in alternating one-half revolution increments to pull down the ITA evenly. **ENSURE THE ITA DOES NOT BECOME WEDGED AS IT IS SLID INTO THE BODY.** Tighten the cage bolts (18) to a torque value of 13-15 Ft-lbs (17.5-20.5 Nm).
5. Units with CTFE or VTFE seat ring (21): Due to the relative “hardness” of the CTFE and VTFE material, to obtain the best possible shutoff it is necessary to generate a “coined” seating chamfer.
6. To coin the seat ring:
  - a. Close-off the outlet connection.
  - b. The level of seat leakage can be quantified at the internal sensing passage.

- c. Pressurize the regulator's inlet with 50–100 psig (3.5–6.9 Barg) of UHP grade GN2.
  - d. Place a thin, flexible membrane that more than covers the diaphragm flange cavity of the body (23).
  - e. Using a soft-headed mallet (rubber, leather), sharply rap the thin membrane over the top, center end of the piston-guide bearing (13). **(Note: Gas will escape as the plug (20) is momentarily forced off the seat ring (21). Allow sufficient time for leakage pressure on outlet side to bleed-off.)** The hammer rap should be strong enough to "bounce" the plug (20) into the seat ring (21), leaving a "coined" seating chamfer. Repeat a minimum of 2 times. Check after each rap to see if required shut off is obtained.
  - f. After "coining" is complete, remove UHP grade GN2 pressure source, membrane and open outlet.
7. To Install Diaphragm(s):
- a. Install a new metal C-ring seal (28) into the body (23) diaphragm flange groove.
  - b. Center diaphragm(s) (9) onto body's (23) diaphragm flange.
  - c. Position upper diaphragm pressure plate (8) centered on top of diaphragm(s) (9) with cup upwards.
8. Place a small amount of light lithium grease onto the adjusting screw (1). Insert both the adjusting screw (1) and its lock nut (2) into the spring chamber (4). Allow the end of adjusting screw to protrude into interior approximately 1/2 inch (12 mm).
9. Place range spring (6) centered on upper diaphragm pressure plate (8).
10. Place a small amount of light lithium grease into the recess of the spring follower (5). Install washers (14) on spring follower. Place the spring follower (5) on upper end of range spring (6).
11. Aligning matchmarks and bolt holes, place spring chamber (4) over range spring (6). If spring chamber flange rests on body (23) flange without a gap, remove spring chamber and rotate adjusting screw (1) deeper into spring chamber cavity another 1/4 inch (6 mm). Repeat this procedure until the adjusting screw (1) keeps the two flanges from touching by approximately 1/8 inch (3 mm). **NOTE: If**

*flanges do not come together equally, the upper diaphragm pressure plate (8) may be off-center. Remove spring chamber (4) and reposition upper diaphragm pressure plate (8) until the spring chamber comes down evenly on all sides.*

- 12. Install all flange bolts (12) and nuts (11) with nameplate (99) located under one bolt head. Hand-tighten nuts (11).
- 13. Evenly tighten body bolting (11,12) using an alternating cross pattern in one revolution increments. Tighten to the following torque value: All body sizes: 30-35 Ft-lbs (41-47 Nm).

### G. Pressure Testing:

- 1. If a high static pressure test is performed, pressure must be applied to all three of spring chamber, inlet and outlet of body at the same level.  
DO NOT HIGH STATIC PRESSURE TEST THE BODY WITHOUT SPRING CHAMBER PRESSURIZED. NOT ADHERING WILL DO PHYSICAL DAMAGE TO INTERNALS THAT COULD RENDER THE UNIT INOPERABLE.

MAXPRESSURE IS \_\_\_\_\_ psig (\_\_\_\_\_ Barg).

- 2. Seat Leakage Test.
  - a. Release all range spring (6) force by backing out adjusting screw (1) fully.
  - b. Pressurize inlet to 50 psig (3.5 Barg) with UHP grade GN2.
  - c. Tube outlet to a beaker of water to observe number of escaping gas bubbles. A steady flow of gas bubbles (e.g., 20 bubbles / minute or greater) is excessive leakage.
- 3. Excessive leakage will require disassembly, examination of sealing elements, correction of problem, reassembly and retesting. Leakage path may be via plug/seat or dynamic side seal.  
**NOTE: If disassembly and re-testing is required, the metal C-ring seal (28) MUST be replaced for each disassembly/reassembly.**

## SECTION VIII

### VIII. TROUBLE SHOOTING GUIDE

When trouble shooting this regulator there are many possibilities as to what may be causing problems. Many times, the regulator itself is not defective, but one or more of the accessories may be. Sometimes the process may be causing difficulties.

The key to efficient trouble shooting is information and communication. The customer should try to be as precise as possible in their explanation of the problem, as well as their understanding of the application and operating conditions.

It is imperative the following information be provided by the customer:

- Fluid (with fluid properties)
- Range of flow rate
- Range of inlet pressure
- Range of outlet pressure
- Range of fluid temperature
- Range of ambient temperature

Pressure readings should be taken at every location that pressure plays a role - i.e., regulator inlet (as close as possible to inlet port), regulator outlet (as close as possible to outlet port), etc.

Below are some of the more common complaints along with possible causes and remedies.

#### 1. Erratic regulation, instability or hunting.

Possible Causes	Remedies
A. Sticking of internal parts	A. Remove internals, clean, and if necessary, replace.
B. Oversized regulator	B. Check actual flow conditions; resize regulator for minimum and maximum flow; if necessary, replace with smaller regulator.

#### 2. Downstream pressure will not reach desired setting.

Possible Causes	Remedies
A. Supply pressure is down (confirm on pressure gauge).	A. Increase supply pressure
B. Undersized regulator.	B. Check actual flow conditions; resize regulator for minimum and maximum flow; if necessary, replace with larger regulator.

#### 3. Diaphragm continually breaks.

Possible Causes	Remedies
A. Differential pressure across diaphragm may have exceeded limits. (See Table 1 in Tech Bulletin).	A. Be aware of limits as well as where the various pressures are acting. Install pressure safety equipment as necessary. Pressure limit for outlet is <u>lower</u> than the limit of the inlet.

**4. Leakage at diaphragm flange.**

Possible Causes	Remedies
A. Body bolts not torqued properly.	A1. Torque to proper value (see Section VII, F.13). A2. Failed C-ring seal. Replace seal.
B. Pressures at diaphragm may be too high for regulator design.	B. Consult factory.

**5. Leakage across seat.**

Possible Causes	Remedies
A. Contamination (debris) in regulator.	A1. Remove internals, clean and if necessary, replace sealing seating elements. * A2. Install UHP filter at inlet.
B. Oversized regulator; plug operates directly next to seat.	B. Check actual flow conditions; resize regulator for minimum and maximum flow; if necessary, replace with smaller regulator.
* Excess seat leakage may be diagnosed when a failure of the dynamic side seal has occurred. Inspect both potential internal leak paths.	
C. Failure due to wear.	C1. Replace seat. C2. Replace all internal trim due wear.
D. Improper installation.	D1. Failure to "coin" CTFE or VTFE seat; disassemble and "coin". D2. Improper re-assembly. Disassemble and re-assemble per instructions within IOM.



## SECTION IX

### IX. ORDERING INFORMATION

#### NEW REPLACEMENT UNIT VS PARTS "KIT" FOR FIELD RE

To obtain a quotation or place an order, please retrieve the Serial Number and Product Code that was stamped on the metal name plate and attached to the unit. This information can also be found on the Bill of Material ("BOM"), a parts list that was provided when unit was originally shipped. (Serial Number typically 6 digits). Product Code typical format as follows: (last digit is alpha character that reflects revision level for the product).

□□□□ - □□□□ 7 - □□□□□□□□□□

#### NEW REPLACEMENT UNIT:

Contact your local Cashco, Inc., Sales Representative with the Serial Number and Product code. With this information they can provide a quotation for a new unit including a complete description, price and availability.

#### PARTS "KIT" for FIELD REPAIR:

Contact your local Cashco, Inc., Sales Representative with the Serial Number and Product code. Identify the parts and the quantity required to repair the unit from the "BOM" sheet that was provided when unit was originally shipped.

**NOTE:** Those part numbers that have a quantity indicated under "Spare Parts" in column "A" reflect minimum parts required for inspection and rebuild, - "Soft Goods Kit". Those in column "B" include minimum trim replacement parts needed plus those "Soft Goods" parts from column "A".

If the "BOM" is not available, refer to the cross-sectional drawings included in this manual for part identification and selection.

A Local Sales Representative will provide quotation for appropriate Kit Number, Price and Availability.



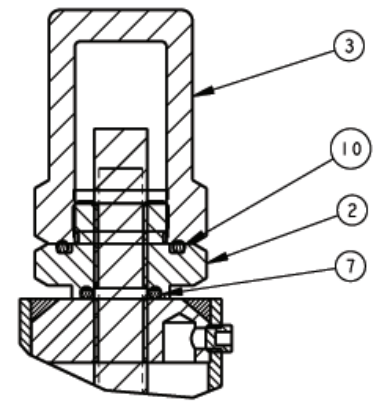
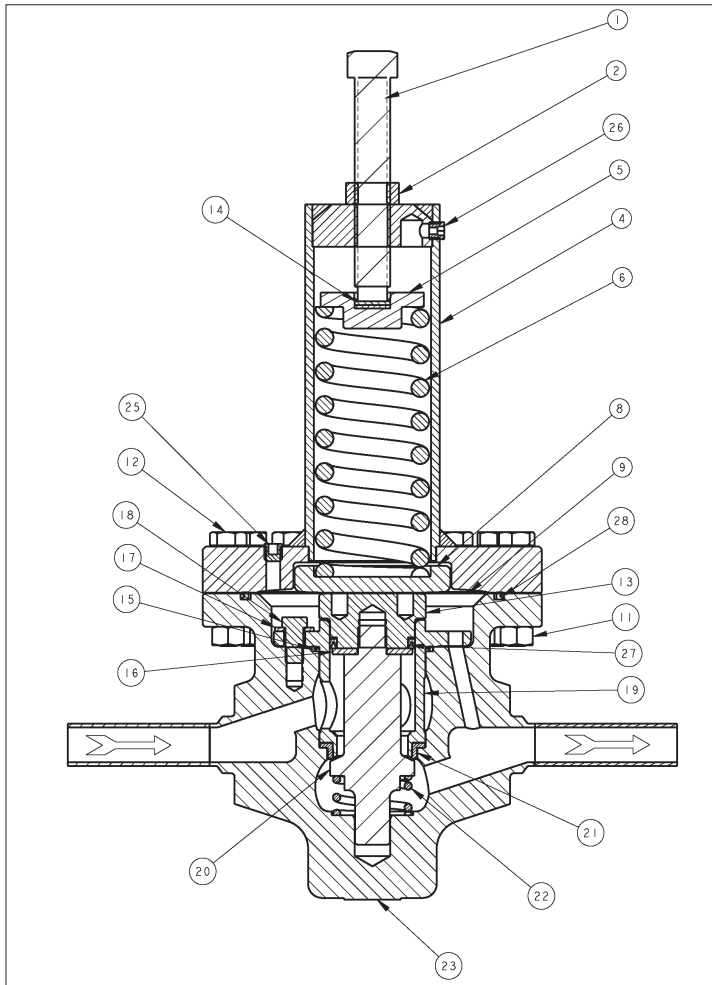
#### CAUTION

**Do not attempt to alter the original construction of any unit without assistance and approval from the factory. All purposed changes will require a new name plate with appropriate ratings and new product code to accommodate the recommended part(s) changes.**

**NOTE:** In addition to ordering repair parts, it is recommended that a special double-posted spanner wrench fitting be ordered for use in the maintenance of the ITA.

Double-Posted Spanner Wrench Fitting	
Body Size	Part Number
All	A96-75-9-P0459-00

The contents of this publication are presented for informational purposes only, and while every effort has been made to ensure their accuracy, they are not to be construed as warranties or guarantees, express or implied, regarding the products or services described herein or their use or applicability. We reserve the right to modify or improve the designs or specifications of such product at any time without notice. Cashco, Inc. does not assume responsibility for the selection, use or maintenance of any product. Responsibility for proper selection, use and maintenance of any Cashco, Inc. product remains solely with the purchaser.



Opt-1 - Closing Cap

**Figure 3:**  
Model CA1/SA1

<u>Item No.</u>	<u>Description</u>	<u>Item No.</u>	<u>Description</u>
1	Adjusting Screw	17	Cage Washer
2	Adjusting Screw Lock Nut	18	Cage Cap Screw
3	Closing Cap	19	Cage
4	Spring Chamber	20	Valve Plug
5	Spring Follower	21 *	Seat Ring
6	Range Spring	22	Return Spring
7	Nut Seal	23	Body
8	Upper Diaphragm Plate	27 *	Dynamic Side Seal
9 *	Diaphragm	27.1 *	Cap Seal
10	Closing Cap Seal	27.2 *	O-ring Energizer
11	Flange Bolt Nuts	27.3 *	U-Cup Seal w/ Metal Energizer
12	Flange Bolt	28 *	Diaphragm Seal
13 †	Piston-Guide Bearing		
14	Thrust Washers		
15 *	Cage O-ring Seal		
16	Shim		

\* Recommended Repair Parts  
 † It is recommended that a special double-posted spanner wrench fitting be ordered for use in the maintenance of the ITA. To order, see NOTE in Section IX, Parts Ordering Information.



IOM ADDENDUM:

ATEX DIRECTIVE 2014/34/EU and THE EQUIPMENT AND PROTECTIVE SYSTEMS INTENDED FOR USE IN POTENTIALLY EXPLOSIVE ATMOSPHERES REGULATIONS 2016

Cashco, Inc. declares that the products listed in the table below has been found to comply with the Essential Health and Safety Requirements relating to the design and construction of products intended for use in potentially explosive atmospheres given in Annex II of the ATEX Directive 2014/34/EU and given in Schedule 1 of The Equipment and Protective Systems Indented for Use in Potentially Explosive Atmospheres Regulations 2016. Compliance with the Essential Health and Safety Requirements has been assured by compliance with EN ISO 80079-36:2016 and EN ISO 80079-37:2016. The product will be marked as follows:



The 'X' placed after the technical file number indicates that the product is subject to specific conditions of use as follows:

1. The maximum surface temperature depends entirely on the operating conditions and not the equipment itself. The combination of the maximum ambient and the maximum process medium temperature shall be used to determine the maximum surface temperature and corresponding temperature classification, considering the safety margins described prescribed in EN ISO 80079-36:2016, Clause 8.2. Additionally, the system designer and users must take precautions to prevent rapid system pressurization which may raise the surface temperature of system components and tubing due to adiabatic compression of the system gas. Furthermore, the Joule-Thomson effect may cause process gases to rise in temperature as they expand going through a regulator. This could raise the external surface temperature of the regulator body and the downstream piping creating a potential source of ignition. Whether the Joule-Thomson effect leads to heating or cooling of the process gas depends on the process gas and the inlet and outlet pressures. The system designer is responsible for determining whether the process gas temperature may raise under any operating conditions.
2. Where the process medium is a liquid or semi-solid material with a surface resistance in excess of  $1G\Omega$ , special precautions shall be taken to ensure the process does not generate electrostatic discharge.
3. Special consideration shall be made regarding the filtration of the process medium if there is a potential for the process medium to contain solid particles. Where particles are present, the process flow shall be  $<1\text{m/s}$  ( $<3.3\text{ft/s}$ ) in order to prevent friction between the process medium and internal surfaces.
4. Effective earthing (grounding) of the product shall be ensured during installation.
5. The valve body/housing shall be regularly cleaned to prevent build up of dust deposits.
6. Regulators must be ordered with the non-relieving option (instead of the self-relieving option) if the process gas they are to be used with is hazardous (flammable, toxic, etc.). The self-relieving option vents process gas through the regulator cap directly into the atmosphere while the non-relieving option does not. Using regulators with the self-relieving option in a flammable gas system could create an explosive atmosphere in the vicinity of the regulator.
7. Tied diaphragm regulators with outlet ranges greater than 7 barg (100 psig) should be preset to minimize the risk that improper operation might lead to an outboard leak and a potentially explosive atmosphere.
8. All equipment must only be fitted with manufacturer's original spare parts.
9. Ensure that only non-sparking tools are used, as per EN 1127-1, Annex A.

	PRODUCT
<b>REGULATORS</b>	31-B, 31-N
	1164, 1164(OPT-45)
	1171, 1171(OPT-45), 1171(CRYO)
	2171, 2171(OPT-45), 2171(CRYO), 3171
	1465, 3381, 3381(OPT-45), 3381(OPT-40)
	4381, 4381(OPT-37), 4381(CRYO), 4381(OPT-45), 5381
	MPRV-H, MPRV-L
	PBE, PBE-L, PBE-H
	CA-1, CA-2
	CA1, SA1, CA4, SA4, CA5, SA5
	DA2, DA4, DA5, DA6, DA8
	DA0, DA1, DAP, SAP
	SLR-1, SLR-2, PTR-1
	ALR-1, ULR-1, PGR-1
	BQ, BQ(OPT-45), BQ(CRYO)
	123, 123(CRYO), 123(OPT-45), 123(OPT-46G)
	123-1+6, 123-1+6(OPT-45), 123-1+6(OPT-46G), 123-1+6+S, 123-1+6+S(OPT-40)
	1000HP, 1000HP(OPT-37), 1000HP(OPT-45), 1000HP(OPT-45G), 1000HP(CRYO)
	1000HP-1+6, 1000HP-1+8, 1000LP, 1000LP(OPT-45), 1000LP(OPT-46G)
	6987
	8310HP, 8310HP-1+6, 8310HP-1+8, 8310LP, 8311HP, 8311LP
	345, 345(OPT-45)
	BA1/BL1, PA1/PL1
	C-BPV, C-PRV, C-CS
	D, D(CRYO), D(OPT-37), D(OPT-20), D(OPT-45)
	DL, DL(LCC), DL(OPT-45)
	BR, BR(CRYO)
	HP, HP(LCC), HP(OPT-45), HP(OPT46G), HP-1+6+S(OPT-40), HP-1+6+S
	P1, P2, P3, P4, P5, P7
	B2, B7
	POSR-1, POSR-2
	5200P, 5300P
135	
NW-PL, NW-SO	
CG-PILOT	
FG1	
<b>CONTROL VALVES</b>	RANGER, 987, PREMIER
	964, 521, 988, 988-MB, 989
	2296/2296HF
	SCV-30, SCV-S
<b>TANK BLANKETING</b>	8700, 8910, 8920, 8930, 8940
	2100, 2199
	3100, 3200, 3300, 3400, 3500, 3600, 3700
	1078, 1088, 1100, 1049
	5100, 5200, 5400, 5500
	4100, 4200, 4300, 4400, 4500, 4600
<b>MISC</b>	764P/PD, 764-37, 764T

Cashco, Inc.  
P.O. Box 6  
Ellsworth, KS 67439-0006  
PH (785) 472-4461  
Fax. # (785) 472-3539  
www.cashco.com  
email: sales@cashco.com  
Printed in U.S.A. CA1/SA1-IOM

Cashco GmbH  
Handwerkerstrasse 15  
15366 Hoppegarten, Germany  
PH +49 3342 30968 0  
Fax. No. +49 3342 30968 29  
www.cashco.com  
email: germany@cashco.com

Cashco do Brasil, Ltda.  
Al.Venus, 340  
Indaiatuba - Sao Paulo, Brazil  
PH +55 11 99677 7177  
Fax. No.  
www.cashco.com  
email: brazil@cashco.com