

MODEL HP-1+6+S

HIGH PRESSURE DIFFERENTIAL REDUCING REGULATOR

SECTION I

I. DESCRIPTION AND SCOPE

The Model HP-1+6+S is a heavy duty, high pressure differential reducing regulator used to control differential pressure between downstream outlet (P_2) pressure and a loading (P_{LOAD}) pressure to the spring chamber. This unit applies to Cashco drawing nos. 32911 (Non-NACE construction), 32909 (CS NACE construction), or 32907 (SST NACE construction). Sizes are 1/2", 3/4", and 1-1/2" (DN15, 20, and

40). This unit is most commonly applied to develop a constant differential pressure across a rotating shaft seal to provide proper sealing and lubricating conditions over varying pressure ranges. Refer to Technical Bulletin HP-S-DIFF-TB for design conditions and selection recommendations.

⚠ CAUTION
NOT FOR STEAM SERVICE. NOT FOR OXYGEN SERVICE.

SECTION II

II. INSTALLATION

This unit was designed and is used almost exclusively on compressor and turbo expander seal gas systems. **REFER TO COMPRESSOR / EXPANDER MANUFACTURER'S MANUAL FOR DETAILED INSTALLATION, START-UP AND SHUTDOWN OF THIS UNIT.** Install regulator in accordance with direction of flow arrow cast on body (1).

⚠ CAUTION

Option-1+6 contains single diaphragm construction. In the event of diaphragm failure, the process fluid will mix with the loading fluid. Please alert your representative so an alternative product can be selected.

⚠ CAUTION

Installation of adequate overpressure protection is recommended to protect the regulator from overpressure and all downstream equipment from damage in the event of regulator failure.

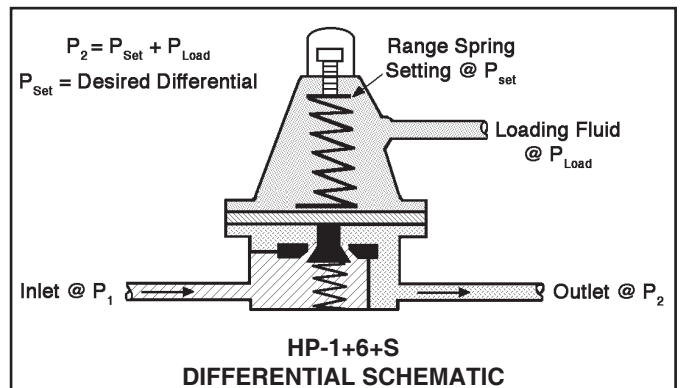
⚠ CAUTION

For welded installations, all internal trim parts, seals and diaphragm(s) must be removed from regulator body prior to welding into pipeline. The heat of fusion welding will damage non-metallic parts if not removed. NOTE: This does not apply to units equipped with extended pipe nipples.

SECTION III

III. PRINCIPLE OF OPERATION

1. The HP-1+6+S is used to maintain a constant differential pressure across the seals of a compressor/expander. A differential pressure reducing regulator senses the downstream or outlet (P_2) pressure on the lower side of the diaphragm and is opposed by the force of the range spring plus an additional loading (P_{LOAD}) pressure connected to the spring chamber. The loading (P_{LOAD}) pressure plus the range spring (14) setting (P_{SET}) equals the outlet (P_2) pressure of the regulator. The range spring setting (P_{SET}) is the differential setting.



2. A complete diaphragm failure will cause the regulator to fail open.

CAUTION

Limit any field hydrostatic test to 1-1/2 times the Maximum Outlet and Spring Chamber Pressure Rating (See Table 2 in HP-S-DIFF TB). Ensure that the test pressure is applied uniformly to the body inlet, body outlet, and spring chamber.

SECTION IV

IV. STARTUP

REFER TO THE COMPRESSOR / EXPANDER MANUFACTURER'S MANUAL FOR DETAILED START-UP OF THIS UNIT.

* **NOTE:** Systems sequencing operations at startup, normal operation, failure mode(s), and shutdown must assure that the pressure (P_{Load}) on the spring chamber does not exceed the pressure registering on the wetted side of the diaphragm. Should this "pressure reversal" occur, particularly to metal diaphragms, the diaphragm may be permanently damaged and cause improper operation.

$$P_1 > P_2 > P_{Load}$$

Pressure reversal is normally caused by the inlet pressure to a regulator being interrupted (automatically or manually).

1. On initial start-up with your system operating at normal conditions, check the differential gauge to ensure the desired differential pressure is being maintained. If not, go to step 2 and make one final adjustment. (This should only be necessary on first start-up.) **NOTE:** It is crucial that the adjusting screw (6) threads not be damaged. Do not use any type of pliers on the adjusting screw (6).
2. To adjust differential setting, use one of the two following methods: (**NOTE:** Both methods require a flowing condition.)
 - a. Loosen the closing cap (28) by turning CCW (as viewed from above) 3 to 4 complete revolutions. Loosen lock nut (7) by turning CCW until it is tight (double-nutted) against closing cap (28). Now the differential setting may be adjusted by turning the closing cap (28) CW to increase differential or CCW to decrease. After desired setting is reached, loosen lock nut (7) from closing cap (28) and tighten each securely to spring chamber (2).
 - b. Remove closing cap (28) from adjusting screw (6) by turning CCW. Loosen lock nut (7) by turning CCW. Adjust the differential setting by turning the adjusting screw (6) CW to increase differential pressure or CCW to decrease. Tighten lock nut (7) securely to spring chamber (2). Replace closing cap (28) and tighten.

SECTION V

V. SHUTDOWN

REFER TO THE COMPRESSOR / EXPANDER MANUFACTURER'S MANUAL FOR DETAILED SHUTDOWN OF THIS UNIT.

SECTION VI

VI. MAINTENANCE

WARNING

SYSTEM UNDER PRESSURE. Prior to performing any maintenance, isolate the regulator from the system and relieve all pressure. Failure to do so could result in personal injury.

A. General:

1. Maintenance procedures hereinafter are based upon removal of the regulator unit from the pipeline where installed.
2. Owner should refer to owner's procedures for removal, handling, cleaning and disposal of nonreusable parts, i.e. gaskets, etc.
3. Refer to Figure 3 for view of regulator.

WARNING

SPRING UNDER COMPRESSION. Relieve spring compression prior to removing diaphragm flange bolts. Failure to do so may result in flying parts that could cause personal injury.

CAUTION

DO NOT ATTEMPT TO REMOVE ADJUSTING SCREW (6) FROM TOP OF SPRING CHAMBER (2). The adjusting screw (6) is threaded upward from inside the spring chamber (2). The CCW rotation used to relieve range spring (14) tension will come to a stop. At the stopping point, do not apply any torque to adjusting screw (6) or damage may occur and render the unit inoperable. See Figure 1.

B. Diaphragm Replacement:

1. Securely install the body (1) in a vise with the spring chamber (2) directed upwards.
2. To relieve range spring (14) compression, remove closing cap (28) by turning CCW. Remove lock nut (7) by turning CCW. Turn adjusting screw (6) CCW until range spring (14) compression is relieved. **NOTE: See CAUTION C).**
3. Draw or embed a match mark between body (1) casting, body spacer (24), and spring chamber (2) casting along flanged area.
4. Remove all body flange hardware (9,23,34,35).
5. Remove spring chamber (2), range spring (14), spring button (4), pressure plate (3), body spacer (24), diaphragm (12), and o-rings (30).

CAUTION

When body flange hardware (9,23,34,35) is removed from this unit it should always be replaced with new. The new hardware (9,23,34,35) must have the proper grade specification identification markings and meet the following standards:

1. All cap screws (23) and flange stud nuts (9) must have "heavy hex heads".
 2. All studs (34,35) and cap screws (23) must comply with or exceed the requirements of ASTM A-193, Grade B7.
 3. All flange stud nuts (9) must comply with or exceed the requirements of ASTM A-194, Grade 2H.
- New body flange hardware (9,23,34,35) may be purchased from Cashco, Inc. or through the OEM.

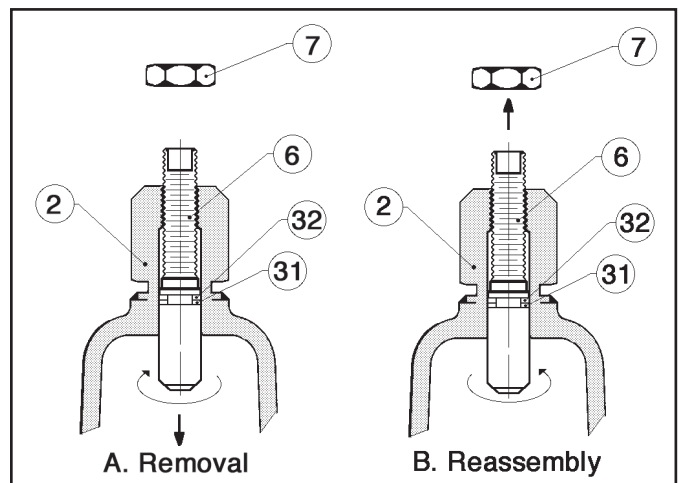


Figure 1: Adjusting screw (6) o-ring inspection.

6. Adjusting screw (6) o-ring inspection:

- a. With locknut (7) and closing cap (28) removed, turn adjusting screw (6) CW as far as possible by turning flats on top end. Carefully reach inside spring chamber (2) and grasp adjusting screw (6) by hand. **NOTE: For 1/2" (DN15) and 3/4" (DN20) size regulators a small piece of plastic tubing with a 3/4" (19 mm) inside diameter may be used to grasp the adjusting screw (6).** Complete adjusting screw (6) removal by rotating CCW. See Figure 1.
- b. Inspect the backup ring (32) and quad ring (31) for wear. If nicked or torn - replace. **NOTE: Make certain the Teflon backup ring (32) will insert into spring chamber (2) before the quad ring (31).** (See Figure 3 blow-up illustration). Make sure the quad ring (31) is on straight with no twist. Use a good grade lightweight grease on both ring seals (31,32).

- c. Lubricate adjusting screw (6) threads. Carefully reinstall the adjusting screw (6) up into the spring chamber (2) by rotating the adjusting screw (6) CW until top of adjusting screw (6) protrudes from top of spring chamber (2). **NOTE:** Care should be taken when holding and rotating the adjusting screw (6) so the quad ring (31) and backup ring (32) are not inadvertently nicked or torn. Grasp top of adjusting screw (6) and turn CCW until rotation stops (**see CAUTION C**). See Figure 1.
 - d. Loosely install lock nut (7) and closing cap (28).
7. Inspect pressure plate (3) for defects due to over-pressurization. Replace if defective.
 8. Clean all parts to be re-used according to owner's procedures.
 9. Place first o-ring (30) on body (1) and lubricate with a lightweight multi-purpose grease. Position body spacer (24) on body with match marks aligned. Place pusher plate (11) on body spacer (24) and check for vertical movement. **NOTE:** The vertical movement should be free and unobstructed as the pusher plate (11) is pushed down and the lower piston spring (17) contracts and expands. If movement is not free, go to Subsection C following to inspect the inner trim parts.
 10. Place second o-ring (30) on body spacer (24) and lubricate with lightweight multi-purpose grease. Position diaphragm (12) on body spacer (24) inside of o-ring (30).
 11. Visually center the pressure plate (3) on diaphragm (12). Place range spring (14) onto retainer hub of pressure plate (3).
 12. Place multi-purpose, high temperature grease into depression of spring button (4) where adjusting screw (6) bears. Set spring button (4) onto range spring (14); ensure spring button (4) is laying flat.
 13. Using "NEW" studs (34,35) and nuts (9) (**see CAUTION D**), thread a nut onto each stud approximately 1.25" (32 mm). Drop the studs (34,35) with nuts (9) through the holes in spring chamber (2). (This will assist in keeping the spring chamber (2) centered on body (1) and prevent parts from moving during re-assembly).
Using the "match marks" made in Step 3 as a guide, replace spring chamber (2) onto body

spacer (24). Thread on lower nuts (9) and tighten by hand. Adjust length of studs (34,35) by using the top nut (9) so that there are at least 3 to 4 threads protruding from the lower nut.

Torque body flange hardware (9,23,34,35) using small increments in a 180° alternating pattern until flange mating surfaces of body (1), body spacer (24) and spring chamber (2) are metal to metal. This creates a "fixed compression" on the diaphragm (12) and o-ring (30) seals. Recommended torque values are listed in Table 1.

TABLE 1				
Body Size in. (DN)	Item No.	Thread Size	Torque Values Ft-lbs (N-m)	
1/2"-1" (15-25)	9,23,34	3/8"-24	35-40	(47-54)
1-1/2" (40)	9,23,34,35	7/16"-20	55-60	(75-81)

14. With locknut (7) tight against closing cap (28), turn closing cap (28) CW until tension is applied to range spring (14).
15. Proceed to Section D. for bench test.

C. Trim Replacement:

NOTE: Do not release tension on range spring (14). (Only necessary when removing spring chamber). The range spring (14) tension keeps pusher plate (11) in alignment and assures proper fit upon replacement of trim.

1. Install body (1) in a vise with the body cap (5) on top and spring chamber (2) downwards.
2. Loosen and remove body cap (5). **NOTE:** Piston spring (17) may stick in body cap (5) when removing.
3. Remove piston spring (17), piston (15) and cylinder (16). Inspect parts for excessive wear, especially at piston (15) seat surface. Ensure there are no nicks or foreign particles embedded in the piston (15) TFE seat. Replace piston w/ TFE seat (15) if necessary. Inspect the backup ring (27) and quad ring (26) on piston (15). Replace rings if worn, nicked, or depressed.
4. Remove body cap O-ring (25). Clean contacting surfaces of body (1) and body cap (5). Be careful not to scratch either surface. Inspect inside surface of the body cap for scratches or nicks. These could result in leakage past the quad ring (26) and backup ring (27). If worn or scratched replace body cap (5).

5. Clean debris from within the regulator body (1) cavity. Make certain the old cylinder gasket (18) is cleaned out of the body (1) recess. Clean all parts to be reused according to owner's procedures.
6. Reinstall a new cylinder gasket (18). Press firmly and evenly into place using the cylinder (16). Do not use a "homemade" cylinder gasket. Pipe sealant may be lightly coated to the gasket (18) surfaces prior to installation. Inspect to see that cylinder gasket (18) is completely pressed into place and cylinder (16) is centered with body cap (5) opening.
7. Install a new back up ring (27) and quad ring (26) on piston (15). Make certain the teflon back up ring (27) will insert the body cap (5) first, before the quad ring (26) (See Figure 3). Make sure the quad ring (26) is on straight with no twist. Use a good grade lightweight grease on both ring seals (26,27). Slide piston (15) into cylinder (16).
8. Place piston spring (17) into the cavity of the piston (15).
9. Insert new body cap o-ring (25) into groove of body cap (5). Use a good grade lightweight grease on body cap o-ring (25). Use pipe thread sealant applied to the body cap (5) threads. Screw body cap (5) into body (1). Impact until body cap (5) is metal to metal against body (1) at the body cap (5) shoulder.

D. Bench test for suitable operation (Test Fluid: Air or compressed gas).

NOTE: Regulators are not tight shutoff devices. Even if pressure builds up beyond setpoint, a regulator may or may not develop tight shutoff.

1. Check for internal trim leakage: With No. 1 shut-off valve closed and No. 2 shut-off valve cracked open, turn on inlet operating pressure. Follow instructions from SECTION IV-2. and set a differential pressure of 20 psig (1.4 Barg) in the downstream line (No. 2 Gauge). Close No. 2 shut-off valve and check for tight shutoff. **NOTE:** Seat leakage not to exceed 15 bubbles per minute. Do not allow excessive buildup if seat leakage exists (crack open No. 2 shut-off valve to prevent buildup). If seat leakage is excessive, proceed with the following steps to determine location of leak:
 - a. Close No. 1 shut-off Valve.
 - b. Turn off inlet operating pressure (P_1).
 - c. Remove entire topworks per SECTION

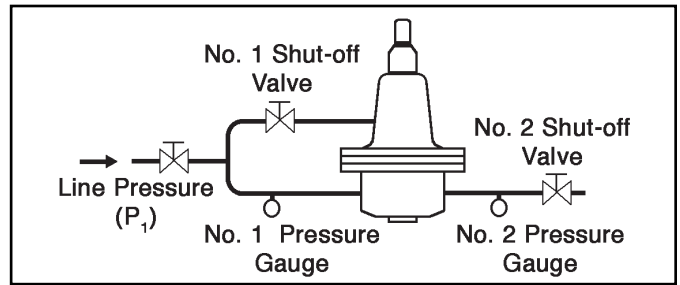


Figure 2: Recommended Bench Test Piping Schematic for HP-1+6+S VI-B., steps 1-5.

- d. Turn inlet operating pressure (P_1) on.
- e. Spray liquid leak detector in the space between cylinder (16) and body (1) to check for cylinder gasket (18) leakage.
- f. Pour a few drops into recess along piston post (15) to check for seat leakage.
- g. Fill the recess to check for quad ring (26) leakage.

Once location of leak is detected, proceed to SECTION VII-6 for Cause/Remedy and SECTION VI-C. for internal trim replacement. After leak is remedied, proceed to SECTION VI-B., steps 8-15 to reassemble topworks.

2. Check regulator performance: With Step No. 1 conditions met, open and close No. 2 shut-off valve to check regulator's performance for smoothness and repeatability.
3. Proof test to check for external leakage:
 - a. Build inlet pressure to 1-1/2 times maximum outlet pressure; but not to exceed 1-1/2 times the Max. Outlet and Spring Chamber Pressure Rating (See HP-S-DIFF TB, Table 2). Close No. 2 shut-off valve and crack open No. 1 shut-off valve until full inlet pressure exists in the spring chamber (2) and downstream line (No. 2 gauge will register same pressure as No. 1 gauge).
 - b. Spray the entire regulator with a liquid leak detector and visually inspect for external leakage. Repair unit if leak is detected. See SECTION VI MAINTENANCE.
 - c. To relieve all pressures simultaneously (preventing diaphragm (12) damage due to excessive ΔP across diaphragm (12)), crack open No. 2 shut-off valve and shut off inlet pressure. This will uniformly bleed off all pressure contained within the regulator.
4. Return to Section II for Installation and Section IV for Startup.

SECTION VII

VII. TROUBLE SHOOTING GUIDE

1. Erratic operation; chattering.

Possible Cause	Remedy
A. Oversized regulator; inadequate rangeability.	A1. Check actual flow conditions, resize regulator for minimum and maximum flow. A2. Increase flow rate. A3. Decrease regulator pressure drop; decrease inlet pressure by placing a throttling orifice in inlet piping union. A4. Install next step higher range spring. Contact factory. A5. Before replacing regulator, contact factory.
B. Worn piston; inadequate guiding.	B. Replace trim.
C. Weakened/broken piston spring.	C. Replace piston spring. Determine if corrosion is causing the failure. If so, consider NACE acceptable trims.
D. Unstable loading pressure.	D. Stabilize loading pressure; i.e. pump, control valve, etc.

2. Downstream pressure will not reach desired setting.

Possible Cause	Remedy
A. Regulator undersized;	A1. Confirm by opening bypass valve together with regulator. A2. Check actual flow conditions, resize regulator; if regulator has inadequate capacity, replace with larger unit.
B. Plugged trim.	B. Remove trim and check for plugged holes in cylinder.
C. Incorrect range spring (screwing in adjusting screw CW does not bring pressure up to proper level).	C. Replace range spring with proper higher range. Contact factory.
D. Too much proportional band (droop); outlet (P_2) pressure droops below load pressure (P_{LOAD}).	D1. Review Proportional Band (droop) expected. D2. Contact factory.
E. Restricted diaphragm movement.	E. Ensure no moisture in spring chamber at temperatures below freeze point.

3. Leakage through body spacer vent hole, or mixing of fluids.

Possible Cause	Remedy
A. Normal-life diaphragm failure.	A1. Replace diaphragm. A2. Check actual flow conditions, resize regulator; if regulator has inadequate capacity, replace with larger unit.
B. Abnormal short-life diaphragm failure.	B1. Can be caused by excessive chattering. See VII - 1. to remedy chatter. B2. Can be caused by corrosive action. Consider NACE acceptable trims. B3. Ensure not subjecting to over-temperature conditions. B4. Downstream outlet (P_2) pressure buildup occurring that overstresses diaphragms. Protect with safety relief valve. B5. Inlet (P_1) pressure valve is shutoff while loading (P_{LOAD}) pressure is still on.

4. Excessive pressure downstream.

Possible Cause	Remedy
A. Regulator not closing tightly.	A1. Inspect the seating. Replace if depressed, nicked or embedded with debris. A2. Inspect guides in body cap. If damaged, replace body cap and/or piston.
B. Downstream block.	B. Check system; isolate (block) flow at regulator inlet - not outlet. Relocate regulator if necessary.
C. No pressure relief protection.	C. Install safety relief valve, or rupture disc.
D. Restricted diaphragm movement.	D1. Ensure no moisture in spring chamber at temperatures below freeze point.

5 Sluggish operation.

Possible Cause	Remedy
A. Plugged body spacer vent hole.	A. Clean vent opening.
B. Plugged piston balance port.	B. Remove trim and clean balance port.
C. Fluid too viscous.	C. Heat fluid. Contact factory.

6. Excessive seat leakage.

Possible Cause	Remedy
A. Foreign matter on seating surface, erosion of seating surface.	A. Inspect and replace damaged parts.
B. Quad ring/backup ring damaged, scratched body cap.	B. Inspect and replace damaged parts.
C. Cylinder gasket damaged.	C. Inspect and replace damaged part.

SECTION VIII

VIII. ORDERING INFORMATION

NEW REPLACEMENT UNIT vs PARTS "KIT" FOR FIELD REPAIR

To obtain a quotation or place an order, please retrieve the Serial Number and Product Code that was stamped on the metal name plate and attached to the unit. This information can also be found on the Bill of Material ("BOM"), a parts list that was provided when unit was originally shipped. (Serial Number typically 6 digits). Product Code typical format as follows: (last digit is alpha character that reflects revision level for the product).

□□□□ - □□□□ 7 - □□□□□□□□□□

NEW REPLACEMENT UNIT:

Contact your local Cashco, Inc., Sales Representative with the Serial Number and Product code. With this information they can provide a quotation for a new unit including a complete description, price and availability.


PARTS "KIT" for FIELD REPAIR:

Contact your local Cashco, Inc., Sales Representative with the Serial Number and Product code. Identify the parts and the quantity required to repair the unit from the "BOM" sheet that was provided when unit was originally shipped.

NOTE: *Those part numbers that have a quantity indicated under "Spare Parts" in column "A" reflect minimum parts required for inspection and rebuild, - "Soft Goods Kit". Those in column "B" include minimum trim replacement parts needed plus those "Soft Goods" parts from column "A".*

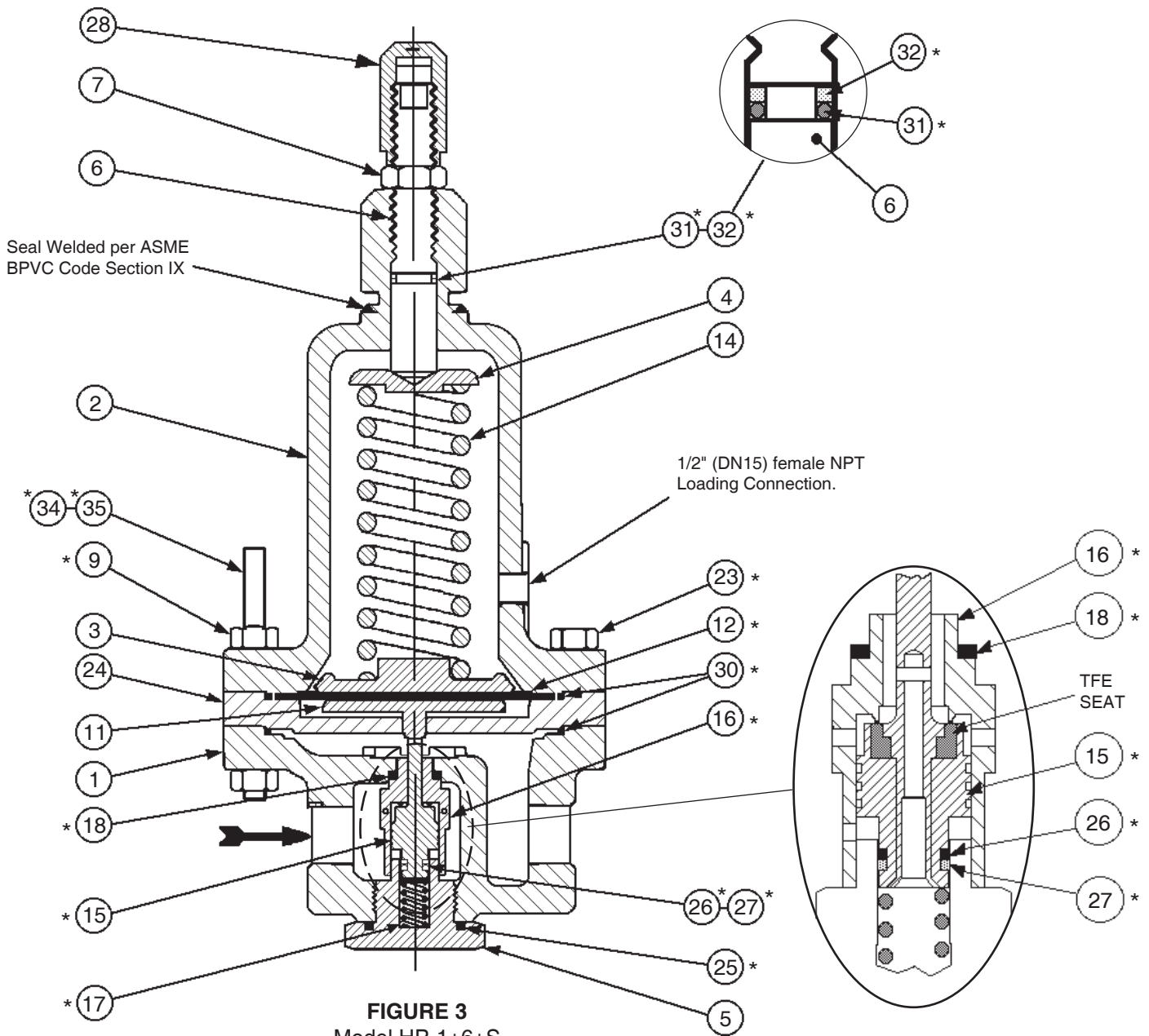
If the "BOM" is not available, refer to the cross-sectional drawings included in this manual for part identification and selection.

A Local Sales Representative will provide quotation for appropriate Kit Number, Price and Availability.


CAUTION

Do not attempt to alter the original construction of any unit without assistance and approval from the factory. All purposed changes will require a new name plate with appropriate ratings and new product code to accommodate the recommended part(s) changes.

The contents of this publication are presented for informational purposes only, and while every effort has been made to ensure their accuracy, they are not to be construed as warranties or guarantees, express or implied, regarding the products or services described herein or their use or applicability. We reserve the right to modify or improve the designs or specifications of such product at any time without notice. Cashco, Inc. does not assume responsibility for the selection, use or maintenance of any product. Responsibility for proper selection, use and maintenance of any Cashco, Inc. product remains solely with the purchaser.



<u>Item No.</u>	<u>Description</u>	<u>Repair Parts</u>	<u>Item No.</u>	<u>Description</u>	<u>Repair Parts</u>
1	Body		15	Piston w/ TFE Seat	*
2	Spring Chamber		16	Cylinder	*
3	Pressure Plate		17	Piston Spring	*
4	Spring Button		18	Cylinder Gasket	*
5	Body Cap		23	Cap Screw	*
6	Adjusting Screw		24	Body Spacer	
7	Lock Nut		25	Body Cap O-Ring	*
9	Flange Stud Nut	*	26	Quad Ring	*
11	Pusher Plate		27	Backup Ring	*
12	Diaphragm	*	28	Closing Cap	
14	Range Spring		30	O-ring (2 req'd)	*
			31	Quad Ring	*
			32	Backup Ring	*
			34	Stud	*
			35	Stud	*



IOM ADDENDUM:

ATEX DIRECTIVE 2014/34/EU and THE EQUIPMENT AND PROTECTIVE SYSTEMS INTENDED FOR USE IN POTENTIALLY EXPLOSIVE ATMOSPHERES REGULATIONS 2016

Cashco, Inc. declares that the products listed in the table below has been found to comply with the Essential Health and Safety Requirements relating to the design and construction of products intended for use in potentially explosive atmospheres given in Annex II of the ATEX Directive 2014/34/EU and given in Schedule 1 of The Equipment and Protective Systems Indented for Use in Potentially Explosive Atmospheres Regulations 2016. Compliance with the Essential Health and Safety Requirements has been assured by compliance with EN ISO 80079-36:2016 and EN ISO 80079-37:2016. The product will be marked as follows:



The 'X' placed after the technical file number indicates that the product is subject to specific conditions of use as follows:

1. The maximum surface temperature depends entirely on the operating conditions and not the equipment itself. The combination of the maximum ambient and the maximum process medium temperature shall be used to determine the maximum surface temperature and corresponding temperature classification, considering the safety margins described prescribed in EN ISO 80079-36:2016, Clause 8.2. Additionally, the system designer and users must take precautions to prevent rapid system pressurization which may raise the surface temperature of system components and tubing due to adiabatic compression of the system gas. Furthermore, the Joule-Thomson effect may cause process gases to rise in temperature as they expand going through a regulator. This could raise the external surface temperature of the regulator body and the downstream piping creating a potential source of ignition. Whether the Joule-Thomson effect leads to heating or cooling of the process gas depends on the process gas and the inlet and outlet pressures. The system designer is responsible for determining whether the process gas temperature may raise under any operating conditions.
2. Where the process medium is a liquid or semi-solid material with a surface resistance in excess of 1GΩ, special precautions shall be taken to ensure the process does not generate electrostatic discharge.
3. Special consideration shall be made regarding the filtration of the process medium if there is a potential for the process medium to contain solid particles. Where particles are present, the process flow shall be <1m/s (<3.3 ft/s) in order to prevent friction between the process medium and internal surfaces.
4. Effective earthing (grounding) of the product shall be ensured during installation.
5. The valve body/housing shall be regularly cleaned to prevent build up of dust deposits.
6. Regulators must be ordered with the non-relieving option (instead of the self-relieving option) if the process gas they are to be used with is hazardous (flammable, toxic, etc.). The self-relieving option vents process gas through the regulator cap directly into the atmosphere while the non-relieving option does not. Using regulators with the self-relieving option in a flammable gas system could create an explosive atmosphere in the vicinity of the regulator.
7. Tied diaphragm regulators with outlet ranges greater than 7 barg (100 psig) should be preset to minimize the risk that improper operation might lead to an outboard leak and a potentially explosive atmosphere.
8. All equipment must only be fitted with manufacturer's original spare parts.
9. Ensure that only non-sparking tools are used, as per EN 1127-1, Annex A.

	PRODUCT
REGULATORS	31-B, 31-N
	1164, 1164(OPT-45)
	1171, 1171(OPT-45), 1171(CRYO)
	2171, 2171(OPT-45), 2171(CRYO), 3171
	1465, 3381, 3381(OPT-45), 3381(OPT-40)
	4381, 4381(OPT-37), 4381(CRYO), 4381(OPT-45), 5381
	MPRV-H, MPRV-L
	PBE, PBE-L, PBE-H
	CA-1, CA-2
	CA1, SA1, CA4, SA4, CA5, SA5
	DA2, DA4, DA5, DA6, DA8
	DA0, DA1, DAP, SAP
	SLR-1, SLR-2, PTR-1
	ALR-1, ULR-1, PGR-1
	BQ, BQ(OPT-45), BQ(CRYO)
	123, 123(CRYO), 123(OPT-45), 123(OPT-46G)
	123-1+6, 123-1+6(OPT-45), 123-1+6(OPT-46G), 123-1+6+S, 123-1+6+S(OPT-40)
	1000HP, 1000HP(OPT-37), 1000HP(OPT-45), 1000HP(OPT-45G), 1000HP(CRYO)
	1000HP-1+6, 1000HP-1+8, 1000LP, 1000LP(OPT-45), 1000LP(OPT-46G)
	6987
	8310HP, 8310HP-1+6, 8310HP-1+8, 8310LP, 8311HP, 8311LP
	345, 345(OPT-45)
	BA1/BL1, PA1/PL1
	C-BPV, C-PRV, C-CS
	D, D(CRYO), D(OPT-37), D(OPT-20), D(OPT-45)
	DL, DL(LCC), DL(OPT-45)
	BR, BR(CRYO)
	HP, HP(LCC), HP(OPT-45), HP(OPT46G), HP-1+6+S(OPT-40), HP-1+6+S
	P1, P2, P3, P4, P5, P7
	B2, B7
	POSR-1, POSR-2
	5200P, 5300P
135	
NW-PL, NW-SO	
CG-PILOT	
FG1	
CONTROL VALVES	RANGER, 987, PREMIER
	964, 521, 988, 988-MB, 989
	2296/2296HF
	SCV-30, SCV-S
TANK BLANKETING	8700, 8910, 8920, 8930, 8940
	2100, 2199
	3100, 3200, 3300, 3400, 3500, 3600, 3700
	1078, 1088, 1100, 1049
	5100, 5200, 5400, 5500
	4100, 4200, 4300, 4400, 4500, 4600
MISC	764P/PD, 764-37, 764T

Cashco, Inc.
P.O. Box 6
Ellsworth, KS 67439-0006
PH (785) 472-4461
Fax. # (785) 472-3539
www.cashco.com
email: sales@cashco.com
Printed in U.S.A. IOM-HP-S-Diff

Cashco GmbH
Handwerkerstrasse 15
15366 Hoppegarten, Germany
PH +49 3342 30968 0
Fax. No. +49 3342 30968 29
www.cashco.com
email: germany@cashco.com

Cashco do Brasil, Ltda.
Al.Venus, 340
Indaiatuba - Sao Paulo, Brazil
PH +55 11 99677 7177
Fax. No.
www.cashco.com
email: brazil@cashco.com