



Model 3400

Pressure Only Vent To Atmosphere

OBJECTIVE

The Model 3400 pressure vents are designed for use on atmospheric and low-pressure storage tanks where pressure relief is required.

TECHNIQUE

Under normal operating conditions, the pallet assembly is closed providing a vapor-tight seal. In the event the tank pressure increases to the set point of the Model 3400, the pallet lifts to vent excess vapors thereby protecting tank from dangerous over-pressurization. Pallet automatically closes and reseals when the pressure is reduced.

CONSTRUCTION

Flange and Weather Hood Material: The Model 3400 is a rugged design made to last. Available in Aluminum, Carbon Steel, Stainless Steel or Corrosion Resistance Fiberglass.

Trim Material: Aluminum or 316 SST on metal vents. Fiberglass - Standard on all FRP vents.

Pallet Diaphragm Material: FEP TFE - Standard. Also available in FKM, EPDM and Buna-N.

SPECIAL FEATURES

Easy Inspection. Easy Inspection: It is light weight for easy handling, inspection and maintenance. Coarse mesh screen prevents entry of foreign matter into seating area.

Maintains Accurate Settings. The minimum setting available is down to 0.25 oz/in². Maximum pressure setting 2" - 12" upwards to 2 psig, for 16" - 24" upwards to .5 psig. See Vent Weight Table. If higher settings are required see Valve Concepts Series 4400 Spring Loaded Vent or 5400 Pilot Operated Vent.

Air-Cushioned Seating. Vent pallet assembly incorporates a flat, smooth film of FEP Teflon to form a floating air seal. All units are tested to Valve Concepts, Inc. high standards to insure low leakage rates. Seat leakage meets or exceeds API Standard 2000. As with all vents supplied by Valve Concepts, Inc. a certified test report is provided.

Sizes - Connections. CS and SST available in sizes 2" through 12" Raised Face Flange; sizes 16" through 24" Flat Face Flange. Aluminum and FRP vents have Flat Face Flange. Both mate with standard ASME 150# flange. Ref to position 4 on coder for selection of DIN or API flange specification.

| MATERIALS OF CONSTRUCTION | | |
|---------------------------|-------------------|-----------------|
| Series | Flange Housing | Pallet * |
| 3400CS | CS | 316 SST |
| 3400SST | 304SST or 316 SST | 316 SST |
| 3400D | Derakane® 470 | Derakane® 470 |
| 3400F | Hetron® 800 | Hetron® 800 |
| 3400A | Aluminum | Alum or 316 SST |

* For settings below 0.5 oz/in², requires Polycarbonate Pallets; only with CS, SST, and Alum. Derakane, Furan and Hetron are Registered trademarks of Ashland Inc. Hetron is now offered as an equal replacement to Furan.

STANDARD/GENERAL SPECIFICATIONS

Gaskets: Standard: TFE/TFE Paste

Painting: Standard: Exterior coating will be a combination of Cashco Paint Specs #S-1777 epoxy and #S-1743 powder coated. Fasteners, seat surfaces and corrosion resistant parts excluded.

Diaphragm Temperature Limits:

FEP-TFE:
-400° to 400° F (-240° to 204°C)

Fluorocarbon Elastomer – (FKM):
-20° to 400° F (-28° to 204°C)

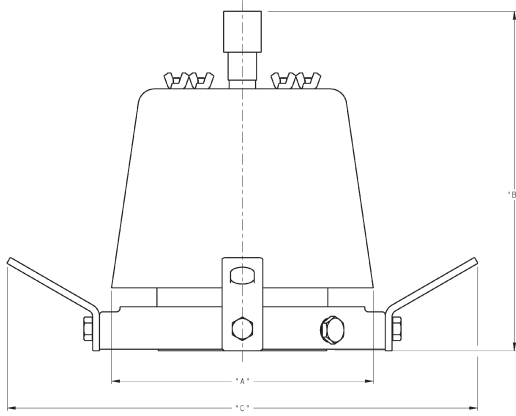
Buna-N (Nitrile-NBR):
-30° to 200° F (-34° to 93°C)

EPDM (Ethylenepropylene):
-40° to 225° F (-40° to 107°C)

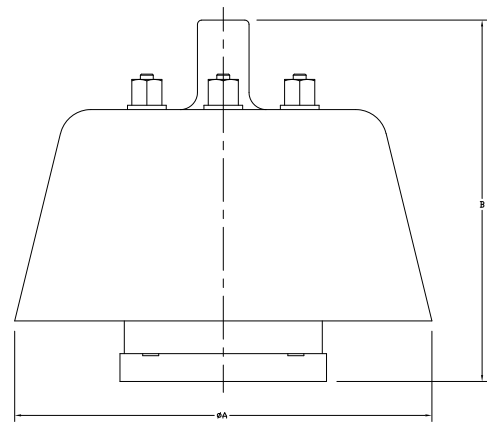
| Size | VENT WEIGHT Set Point Limits oz/in ² | | | |
|------|---|-------|--------------|-------|
| | Standard Material | | SST Material | |
| | Min | Max | Min | Max |
| 2" | 0.25 | 30.50 | 0.25 | 28.50 |
| 3" | 0.25 | 31.50 | 0.25 | 32.00 |
| 4" | 0.25 | 32.50 | 0.25 | 33.00 |
| 6" | 0.25 | 30.50 | 0.25 | 31.00 |
| 8" | 0.25 | 30.00 | 0.25 | 30.50 |
| 10" | 0.25 | 32.00 | 0.25 | 31.50 |
| 12" | 0.25 | 29.50 | 0.25 | 30.50 |
| 16" | N/A | N/A | 1.00 | 7.00 |
| 18" | N/A | N/A | 1.00 | 7.00 |
| 20" | N/A | N/A | 1.00 | 7.00 |
| 24" | N/A | N/A | 1.00 | 7.00 |

The contents of this publication are presented for informational purposes only, and while every effort has been made to ensure their accuracy, they are not to be construed as warranties or guarantees, express or implied, regarding the products or services described herein or their use or applicability. We reserve the right to modify or improve the designs or specifications of such product at any time without notice. Cashco, Inc. does not assume responsibility for the selection, use or maintenance of any product. Responsibility for proper selection, use and maintenance of any Cashco, Inc. product remains solely with the purchaser.

DIMENSIONS & WEIGHTS

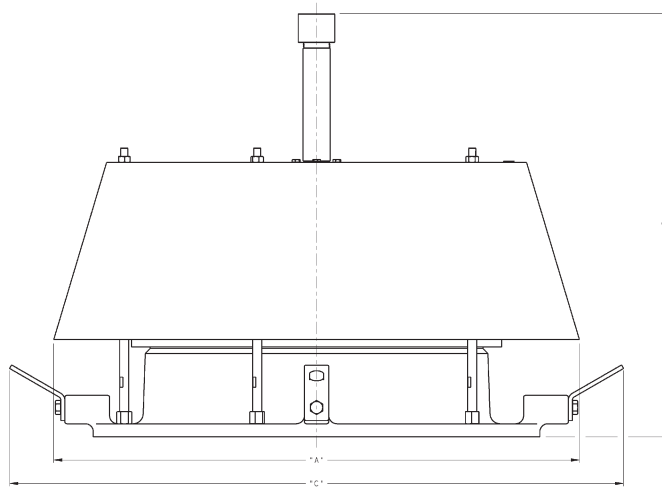


Standard Construction for Alum, CS & SST



Standard Construction for FRP

| Aluminum, Carbon Steel & Stainless Steel Flange & Weather Hood in. (mm) | | | | | | | Weight lbs (kg) | |
|---|-----------|-------|--------|-------|-------|-------|-----------------|----------|
| Size In (DN) | A (diam.) | | B | | C | | Aluminum | CS / SST |
| 2" (50) | 7.50" | (191) | 9.54" | (242) | N/A | N/A | 7 (3) | 14 (6) |
| 3" (80) | 9.20" | (234) | 10.56" | (271) | N/A | N/A | 11 (5) | 22 (10) |
| 4" (100) | 9.62" | (244) | 12.50" | (317) | 17.29 | (439) | 16 (7) | 32 (14) |
| 6" (150) | 13.00" | (330) | 14.61" | (371) | 19.29 | (490) | 21 (9) | 42 (19) |
| 8" (200) | 16.00" | (406) | 16.25" | (413) | 21.73 | (554) | 28 (13) | 56 (26) |
| 10" (250) | 19.06" | (484) | 16.92" | (430) | 24.29 | (617) | 36 (16) | 75 (34) |
| 12" (300) | 24.00" | (610) | 19.88" | (505) | 27.30 | (694) | 50 (23) | 106 (48) |
| Corrosion Resistant Fiberglass (FRP) Flange & Weather Hood | | | | | | | Weight lbs (kg) | |
| Size In (DN) | A (diam.) | | B | | C | | Aluminum | CS / SST |
| 2" (50) | 12.12" | (308) | 10.50" | (267) | N/A | N/A | C/F | C/F |
| 3" (80) | 12.12" | (308) | 10.50" | (267) | N/A | N/A | C/F | C/F |
| 4" (100) | 15.91" | (404) | 11.55" | (293) | N/A | N/A | C/F | C/F |
| 6" (150) | 16.32" | (414) | 13.34" | (339) | N/A | N/A | C/F | C/F |
| 8" (200) | 22.35" | (568) | 16.16" | (410) | N/A | N/A | C/F | C/F |
| 10" (250) | 23.04" | (585) | 17.46" | (443) | N/A | N/A | C/F | C/F |
| 12" (300) | 26.59" | (675) | 18.83" | (478) | N/A | N/A | C/F | C/F |



Standard Construction for Alum & SST

| Aluminum & Stainless Steel Flange & Weather Hood in. (mm) | | | | | | | Weight lbs (kg) | |
|---|-----------|--------|--------|-------|-------|--------|-----------------|-----------|
| Size In (DN) | A (diam.) | | B | | C | | Aluminum | SST |
| 16" (400) | 30.13" | (765) | 18.56" | (472) | N/A | N/A | 60 (27) | 136 (62) |
| 18" (450) | 33.13" | (842) | 21.06" | (535) | N/A | N/A | 68 (31) | 153 (70) |
| 20" (500) | 32.38" | (822) | 26.00" | (660) | 37.79 | (953) | 94 (43) | 243 (111) |
| 24" (600) | 39.61" | (1006) | 26.00" | (660) | 42.79 | (1087) | 131 (60) | 223 (101) |

3400 Series PRODUCT CODE

10/12/20

Last 6 Characters reserved for SPQ drawing numbers assigned by Cashco Inc. (Format as - # # # # # #)

34 POS 3 POS 4 POS 5 **B** POS 7 **0** POS 9 POS 10 **00000000**

| POSITION 3 - PALLET DESIGN | |
|----------------------------|------|
| Material | CODE |
| STD | 0 |
| No Pallet (Free Vent) | B |

| POSITION 4 - FLANGE - SIZE | | | |
|------------------------------|------|-------------------------|------|
| ASME INCH | CODE | DIN FLANGES PN (rating) | CODE |
| 2" | 2 | 50 (PN16) | H |
| 3" | 3 | 80 (PN16) | J |
| 4" | 4 | 100 (PN16) | K |
| 6" | 6 | 150 (PN16) | L |
| 8" | 8 | 200 (PN10) | M |
| | | 200 (PN16) | T |
| | | 250 (PN10) | N |
| 10" | A | 250 (PN16) | V |
| | | 300 (PN10) | P |
| 12" | B | 300 (PN16) | W |
| | | 400 (PN16) | 1 |
| 16" | F | 450 (PN16) | 5 |
| 18" | C | 500 (PN16) | 7 |
| 20" | D | 600 (PN16) | 9 |
| 24" | E | | |
| API 650 Flange Specification | | | |
| 20" | S | ---- | ---- |
| 24" | Z | ---- | ---- |

| FLANGE SIZES | POSITION 5 - FLANGE / TRIM / WEATHERHOOD MATERIALS | |
|--------------|--|---------------|
| | MATERIAL | Standard CODE |
| 2 - 12" | ALUM/ALUM/SST | A |
| | CS/SST/CS RF | C |
| | 316SST/SST/SST RF | S |
| 16 - 24" | ALUM/SST/CS | M |
| | 304SST/SST/Alum FF | D |
| | 304SST/SST/CS FF | B |
| | 304SST/SST/SST FF | R |
| | 316SST/SST/SST FF | V |
| All | ALUM/SST/ALUM | E |
| | ALUM/SST/SST | K |
| | Derakane 470 w/SST Studs | F |
| | Derakane 470 w/Hast C Studs | H |
| | Hetron 800 w/SST Studs | G |
| | Hetron 800 w/Hast C Studs | J |

Alum & FRP vents have Flat Face Flange
RF = Raise Face. **FF** = Flat Face

| POSITION 7 - DIAPHRAGM MATERIALS | |
|----------------------------------|------|
| DIAPHRAGM | CODE |
| FEP TFE (Std) | A |
| Buna-N | B |
| EPDM | D |
| FKM | F |
| No Diaphragm (Free Vent) | 0 |

| POSITION 9 - SIGHT GLASS | |
|--------------------------|------|
| | CODE |
| None (Std) | 0 |
| Slight Glass | 1 |

| POSITION 10 - WEIGHT MATERIAL | |
|---|------|
| Material | CODE |
| STD | 0 |
| ALL SST | S |
| No weight (Free Vent) | P |
| Encapsulated weight Option For FRP Body Material ONLY | E |

See Vent Weight Table (pg.2) for set point limits.

*** For information on ATEX see pages 10 & 11 on the IOM.**

Cashco, Inc.
 P.O. Box 6
 Ellsworth, KS 67439-0006
 PH (785) 472-4461
 Fax. # (785) 472-3539
 www.cashco.com
 email: sales@cashco.com
 Printed in U.S.A. 3400-TB

Cashco GmbH
 Handwerkerstrasse 15
 15366 Hoppegarten, Germany
 PH +49 3342 30968 0
 Fax. No. +49 3342 30968 29
 www.cashco.com
 email: germany@cashco.com

Cashco do Brasil, Ltda.
 Rua Bonifácio Cubas, 389.
 Cep 02731-000 – Vila Albertina - São Paulo - SP
 PH +55 11 99677 7177
 Fax. No.
 www.cashco.com
 email: brazil@cashco.com