



MODEL DA1

APPLICATIONS

The “DO-ALL” design allows application of all types of clean fluids. Designed primarily for gaseous and liquid service applications where excessive cavitation is absent. Excellent for atmospheric industrial gases – GN₂, GOX, Ar, He, H₂, CO₂ – as well as a natural gas regulator. Used as a utilities – air, oil, water, steam – regulator. Corrosive and non-corrosive chemical services – gas or liquid – are possible with broad materials range. Special variations available for cryogenic gas; consult factory.

MODEL DA1

DO-ALL SERIES I PRESSURE REDUCING REGULATOR Spring Operated: 1/2" – 4" (DN15 - 100)

The Model DA1 is a high performance, spring operated, flow-to-open, pressure reducing regulator with internal pressure balancing piston-cylinder that provides high flow capacity and high pressure drop capability. Internal trim design allows the same basic unit to cover a broad range of pressure settings. Performance approaches that of competitive pilot-operated designs in the basic construction. Applied primarily in clean gaseous or liquid services. Truly a “DO-ALL” pressure regulator.

FEATURES

- | | |
|----------------------------|---|
| Versatile: | Five basic materials and multiple trim material combinations to select from. |
| Tight Shutoff: | Multiple composition materials provide Class IV or VI inboard leakage rates. Designed as a soft-seated valve. |
| Capacity: | Highest in the industry. Allows smaller body sizes than competitors in a majority of applications. |
| Pressure Drop: | Highest in the industry when coupled with high flow capacity. |
| Trim Design: | “DO-ALL” trim design provides <u>FTO</u> and <u>pressure balancing</u> for higher inlet pressure. Results in unmatched <u>sensitivity</u> and <u>stability</u> . Internals are <u>cage-contained</u> within easily removable <u>quick change trim</u> . |
| Rangeability: | Basic valve gives outstanding rangeability due to close tolerances, balanced trim, and a broad range of elastomeric diaphragms and soft seats. Can be as high as 1000:1. |
| Heavy-Duty Guiding: | Both top and bottom guided to maintain stability and increased diaphragm life. |
| Failure Position: | Fails open on loss of P ₁ or P ₂ pressures. |

STANDARD / GENERAL SPECIFICATIONS

Body / Spring Chamber Materials

DI/DI	BRZ/CS	SST/CS
CS/DI	BRZ/SST	SST/SST
CS/CS	HC/CS *	Dup SST/CS
BRZ/BRZ *	HC/SST *	Dup SST/SST
BRZ/DI	SST/DI	Dup SST/Dup SST

* Through 2" (DN50) body size only.

DI = Ductile Iron CS = Carbon Steel BRZ = Bronze
 SST = Stainless Steel HC = Hastelloy "C"
 Dup SST = Super Duplex SST

Body Sizes

1/2", 3/4", 1", 1-1/4", 1-1/2", 2", 2-1/2", 3", 4"
 (DN15, 20, 25, 32, 40, 50, 65, 80, 100)

End Connections

Standard: Female NPT (screwed).
ASME Flanged: 125#, 150#, 250#, 300#, 600#
DIN Flanged: PN16, PN25, PN40;
Opt-31: British Standard Pipe Threads.
Opt-32: Schedule 80 Extended Pipe Nipples.
Opt-34: 14" Face to Face Flange Dimension.
Opt-41: Extension Tube Ends.

Recommended Max. Useable Cv

Body Size		Diaphragm		Body Size		Diaphragm	
		Comp. Cv	Metal Cv			Comp. Cv	Metal Cv
in	(DN)			in	(DN)		
1/2"	(15)	3.6	3.5	2"	(50)	54	12
3/4"	(20)	7.2	3.5	2-1/2"	(65)	81	N/A
1"	(25)	13.5	3.5	3"	(80)	108	N/A
1-1/4"	(32)	20.7	6.0	4"	(100)	198	N/A
1-1/2"	(40)	27.0	6.0	-	-	-	-

See Table DAG-6 for Wide Open Cv Limits.
 See Tables 3A through 3D and 4A through 4C for Cv vs. Droop vs. Range Spring tables.

METRIC CONVERSION FACTOR: $C_v / 1.16 = k_v$

Inlet Pressure Range

Operating: 10–1480 psig (.69–102.1 Barg).
 See Tables DAG-1A – 1H for design P vs. T limits.

Outlet Pressure Range

1/2"–1" (DN15–25):	1–450 psig (.07–34.5 Barg)
1-1/4"–1-1/2" (DN32–DN40):	1–400 psig (.07–27.6 Barg)
2" (DN50):	1–275 psig (.07–20.7 Barg)
2-1/2"–4" (DN65–100):	1–225 psig (.07–15.5 Barg)

NOTE: Ranges may be limited by diaphragm selection. See Table 5.

Pressure Drop Limits

5–1480 psid (.34–102.1 Bard)

Function of service fluid, base trim material, diaphragm and dynamic seal design. See Table 5 and Table DAG-2, DAG-3 & DAG-4.

Temperature Range

-425° to +400°F (-254° to +204° C)

Limited by body/sp.ch. material combinations, and by elastomeric – diaphragm, seat, static seal, dynamic seal – materials. See Tables DAG-1A through 1H and Table DAG-5.

Alternate "CS" Mat'l - Steel - ASTM A352 Gr. LCC -
 Minimum temperature -50 °F (-46 °C).
Cryogenic Application see Opt -5 or -36.

Inboard Leakage Rates

See Table DAG-10

Optional Constructions

<u>Opt-5:</u> Cryogenic Const.	<u>Opt-40:</u> NACE Const.
<u>Opt-9:</u> *TFE Diaph. Cover	<u>Opt-41:</u> Ext. Tube Ends
<u>Opt-25:</u> 1/4" (DN8) NPT Tap	<u>Opt-55:</u> Oxygen Cleaned
Spring Chmb.	<u>Opt-56:</u> Special Cleaned
<u>Opt-25S:</u> Vent Screen	<u>Opt-57:</u> Chlorine Cleaned
<u>Opt-30:</u> RF Flanges	<u>Opt-80:</u> High Outlet Press.
<u>Opt-31:</u> BSP End Conns.	<u>Opt-85:</u> Extra Set Pressure
<u>Opt-32:</u> Ext. Pipe Nipples	Taps
<u>Opt-34:</u> 14" F to F Flange.	
<u>Opt-36:</u> Cryogenic Const.	

* Available with Composition Diaphragm ONLY.

ABBREVIATIONS

FK = Fluorosilicone	NBR = Buna-N	PTFE = Polytetrafluoroethylene
FKM = Fluorocarbon	RTFE = Brz-fill TFE	V-TFE = Virgin TFE
EPR = Ethylene Propylene	GF-TFE = Glass-fill TFE	CTFE = Chlorotrifluoroethylene
BC = Neoprene	PA = PolyAll	3-ply (PTFE+FKM+PTFE)

MATERIAL SPECIFICATIONS

Body

DI – ASTM A395
CS – ASTM A216, Grade WCB
 Alternate ASTM A352 Gr. LCC
BRZ – ASTM B62, Alloy 83600,
SST – ASTM A351, Grade CF3M.
 Alternate ASTM A995/A995M7 Gr. 6A
HC – ASTM A494, Gr. CW-12 MW.
 See DAG-1A through DAG-1H for material specs.

Spring Chamber

DI – ASTM A395
CS – Sizes 1/2" - 4" ASTM A216, Gr. WCB;
 Alternate ASTM A352 Gr. LCC
Opt-80 - Sizes 1/2"-1-1/2" ASTM A516, Gr. 55,
 ASTM A106, Gr. B; Size 2" ASTM A216, Gr. WCB
BRZ – ASTM B62, Alloy 83600.
SST – Size 1/2" - 4 " ASTM A351 Gr. CF3M;
Opt-80 - Size 1/2" - 1-1/2" ASTM A312, Gr. 316L,
 ASTM A479, Gr. 316L; Size 2" is ASTM A351 Gr. CF3M
 Alternate ASTM A995/A995M7 Gr. 6A

Diaphragm *

Elastomeric – BC, EP, FKM, FK, NBR, FKM+TFE,
 3-ply (PTFE+FKM+PTFE).
Metallic – Be-Cu. (only 1/2" - 2" sizes)

Metallic Trim *

17-4PH SST, 316L SST, Nickel-Copper Alloy (Monel[†]),
 See Table 2.

Seat *

PolyAll, V-TFE, GF-TFE, CTFE, BC, NBR, FKM

Static Seals (See Fig. DAG-F1) *

RTFE, NBR, FKM, FK, EP, - o-ring
 SST/TFE (1/2"-2") (DN15-50) sizes,
 V-TFE (2-1/2"-4") (DN65-100) sizes.

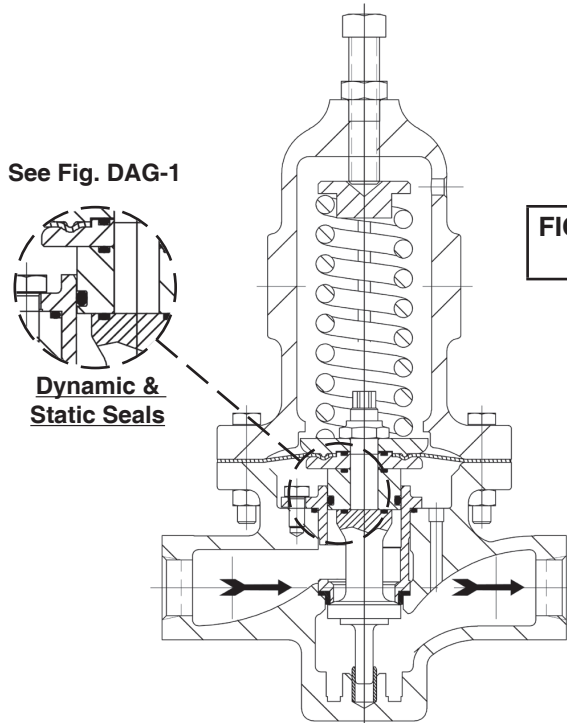
Dynamic Seals (See Fig. DAG-F1) *

Type OR – NBR, FKM, FK, EP, - o-ring seal.
Type UC – V-TFE u-cup seal w/316L SST energizer
 – V-TFE u-cup seal w/ Elgiloy energizer
 – V-TFE u-cup seal w/ Hast C energizer
Type CW – TFE cap seal with o-ring energizer
 (o-ring material same as static seal)
 and GF-TFE wiper backup seal.
Type PW – GF-TFE piston ring assembly seal with
 17-7PH SST energizer and GF-TFE
 wiper backup seal.

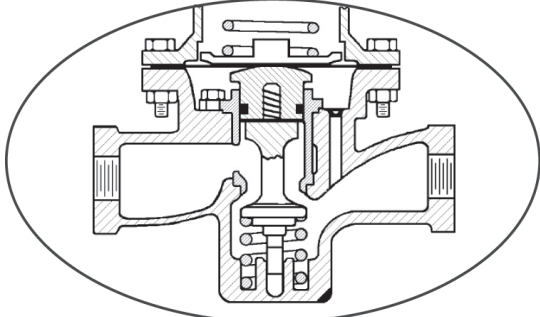
Painting

Standard: All non-corrosion resistant portions to be painted
 with corrosion resistant epoxy paint per Cashco Spec
 #S-1606.

* See Product Coder for acceptable combinations.
[†] Hastelloy[®], Monel[™], and Inconel[®] are registered trade
 names:
 Hastelloy[®] is a mark owned by Stelite Div., Cabot Corp.
 Monel[™] is a mark owned by International Nickel Co.
 Inconel[®] is a mark owned by International Nickel Co.



**FIGURE 1 – Model DA1
 Flow To Open**



Composition Diaphragm

Metal Diaphragm

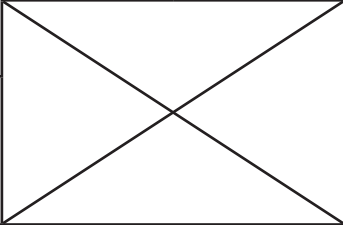
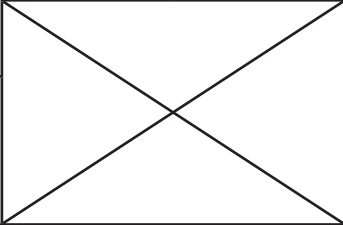
This construction REQUIRES a Lower Piston Spring to be supplied.

OPTION SPECIFICATIONS

- OPT-5:** **BRZ CRYOGENIC CONSTRUCTION.** BRZ/BRZ body/spring chamber materials. NPT end connections. SN & TN trim selections only. Drilled condensate drain hole. **Select Opt-55 or Opt-56 for Special Cleaning.** Applicable temperature range -325° to +150° F. (-198° to +66° C). Design requires that spring chamber be mounted pointed downwards in a horizontal pipe.
- OPT-9:** **TFE DIAPHRAGM COVER.** A 0.020" (0.5 mm) thick TFE diaphragm is added to the selected diaphragm. TFE diaphragm cover is exposed to process fluid, providing added chemical compatibility. Use with composition diaphragm only.
- OPT-25:** **SPRING CHAMBER VENT TAP.** A 1/4" (DN8) - FNPT tap is located on spring chamber to allow for remote venting in case of diaphragm rupture. Primarily used when handling toxic or flammable fluids.
- OPT-25S:** **VENT SCREEN.** Cap (includes OPT-25).
- OPT-30:** **FLANGED END CONNECTIONS.** CS, SST or HC body materials only. All body sizes only (no 1-1/4" (DN32) size). Flange of same general chemistry as body. See Opt-34 for special 14" face to face dimension.
NOTES: 1. The body P vs. T ratings are the limiting variables for flanged end connections, unless further restricted by ASME B16.5.
- OPT-31:** **BSPT END CONNECTIONS.** British Standard Pipe threads per ISO 7/1; used as an alternate to NPT ends. 1/2" – 2" (DN15–50) sizes only.
- OPT-32:** **EXTENDED PIPE NIPPLES.** Sch. 80 extension pipe nipples available for CS and SST bodies; for body sizes 1/2" – 2" (DN15–50) only.
- OPT-34:** **SPECIAL 14" FACE TO FACE DIMENSION FOR FLANGED END CONNECTIONS.** Sizes 1/2" - 1" & 1-1/2" only. See Opt.-30 for standard face to face dimension.
- OPT-36:** **SST CRYOGENIC CONSTRUCTION.** Same specification as Opt-5 except body/spring chamber material is SST/SST. (Be-Cu Diaphragm material.)
- OPT-40:** **NACE CONSTRUCTION.** Internal wetted portions meet NACE Std. MR0175 for application in sour gas/crude oil service. Exterior of unit to not be directly buried, insulated, or otherwise denied direct atmospheric exposure. CS/CS, LCC/LCC, LCC/SST, SST/CS, or SST/SST body/spring chamber materials only. 316L SST trim materials only. ELG/TFE U-cup dynamic seals. Available in all end connections.
- OPT-41:** **EXTENDED TUBE END CONN.** SST body material only. Body sizes 1/2"–1" (DN15–25), 1-1/2" & 2" (DN40–50) only. SST extension tube diameter with 0.065 inch (1.65 mm) wall thickness. NOT FOR HIGH PURITY REQUIREMENTS.
- OPT-55:** **SPECIAL CLEANING - GOX.** BRZ or SST body materials only. Cleaning, assembly and packaging per Cashco Spec #S-1134, making unit suitable for Oxygen Service. **NOTE: Design Pressure Rating shall not exceed 375 psig (25.8 Barg) when body material is SST and process medium is oxygen.**
- OPT-56:** **SPECIAL CLEANING.** Cleaning per Cashco Spec. #S-1542 for all body & spring chamber materials. Higher cleaning level than standard commercial cleaning. NOT suitable for Oxygen Service.
- OPT-57:** **SPECIAL CLEANING - Cl₂.** CS, SST, or HC body materials only. Cleaning per Cashco Spec. #S-1589. For chlorine gas/liquid service.
- OPT-80:** **HIGH OUTLET PRESSURE.** Applies only to body sizes 1/2"–2" (DN15–50). Selecting highest available range spring requires special spring chamber construction. Only available as CS or SST spring chamber materials: Trims of P1, P2, P3, P4, P7, PB, M7, M9, NP, NV, T7 or T9 only.
- OPT-85:** **PRESSURE TAPS.** Provides second set of inlet and outlet 1/4" (DN8) - FNPT taps with plugs (same basic material as body) on backside of body. Includes second external sensing port tap. See page 22 for details on tap location for both STD. and Opt -85. **NOTE:** Not available for HC body.

TECHNICAL SPECIFICATIONS

**TABLE 1
RANGE SPRINGS**

Body Size in. (DN)	Spring Range psig	Body Size in. (DN)	Spring Range psig
1/2" (15), 3/4" (20) 1" (25)	1-5 * 1-10 **	2" (50)	1-5 * 1-10 **
	5-20 10-35 20-80 30-150 70-200 100-300		5-15 10-30 15-50 30-90 50-150
	200-450 (Opt-80) ✓		80-225 80-275 (Opt-80)✓
	1-1/4" (32) 1-1/2" (40)	1-5 * 1-10 **	2-1/2" (65), 3" (80), 4" (100)
5-20 15-45 10-70 40-175 70-200		5-20 10-40 10-70 40-125 50-225	
100-350 100-400 (Opt-80) ✓			
			

* Composition diaphragm construction ONLY.

** Metal diaphragm for set point pressures \geq 5 psig (.34 Barg).

✓ OPT-80 requires selection of a CS or SST spring chamber.

METRIC CONVERSION: psig / 14.5 = Barg.

**TABLE 2
METALLIC TRIM MATERIAL COMBINATIONS**

PART	TRIM DESIGNATION				
	P	H	M	S	T
Plug	17-4 PH SST	Hastelloy-C	Monel†	316L SST	17-4 PH SST
Guide Bearing	17-4 PH SST	Hastelloy-C	Monel†	316L SST	17-4 PH SST
Cage	316L SST	Hastelloy-C	Monel†	316L SST	Monel†
Body Bushing	17-4 PH SST	Hastelloy-C	Monel†	Monel†	Monel†

† See Page 3 for registered trade name information.

**TABLE 3A
FULL PORT FLOW CAPACITY – Cv
COMPOSITION DIAPHRAGM $F_L = 0.90$**

Pressure Setpoint Psp psig	Cv Capacity @ % Droop									Range Spring psig
	BODY SIZE - 1/2" (DN15)			BODY SIZE - 3/4" (DN20)			BODY SIZE - 1" (DN25)			
	10%	20%	30%	10%	20%	30%	10%	20%	30%	
1	1.08	2.00	2.70	1.35	2.50	3.38	1.51	2.79	3.76	1 - 5
3	3.06	3.24	3.42	4.05	6.48	6.84	4.51	8.34	11.25	
5	3.06	3.24	3.42	5.85	6.48	6.84	6.51	12.04	12.83	
1	0.52	0.96	1.29	0.66	1.22	1.65	0.71	1.31	1.76	1 - 10
5	3.06	3.24	3.42	3.29	6.09	6.84	4.31	7.97	10.75	
10	3.06	3.24	3.42	5.60	6.48	6.84	6.15	11.38	12.83	
5	2.16	3.24	3.42	2.71	5.01	6.76	3.00	5.55	7.49	5 - 20
10	3.06	3.24	3.42	4.28	6.48	6.84	4.75	8.79	11.87	
15	3.06	3.24	3.42	5.18	6.48	6.84	5.75	10.64	12.83	
20	3.06	3.24	3.42	6.12	6.48	6.84	8.35	12.15	12.83	
10	1.04	1.92	2.59	1.31	2.42	3.26	1.45	2.68	3.61	10 - 35
20	2.31	3.24	3.42	2.88	5.33	6.84	3.20	5.92	7.99	
30	3.06	3.24	3.42	4.68	6.48	6.84	5.20	9.62	12.83	
35	3.06	3.24	3.42	5.40	6.48	6.84	6.00	11.10	12.83	
20	0.79	1.46	1.97	0.99	1.83	2.47	1.11	2.05	2.76	20 - 80
40	1.33	2.46	3.32	1.67	3.09	4.17	1.85	3.42	4.61	
60	2.81	3.24	3.42	3.51	6.48	6.84	3.91	7.23	9.76	
80	3.06	3.24	3.42	4.91	6.48	6.84	5.45	10.08	12.83	
30	0.72	1.33	1.79	0.91	1.68	2.26	1.00	1.85	2.50	30 - 150
50	1.26	2.33	3.14	1.58	2.92	3.94	1.75	3.24	4.38	
75	2.16	3.24	3.42	2.71	5.01	6.76	3.00	5.55	7.49	
100	2.74	3.24	3.42	3.42	6.33	6.84	3.80	7.03	9.49	
125	3.06	3.24	3.42	4.51	6.48	6.84	5.00	9.25	12.49	
150	3.06	3.24	3.42	4.95	6.48	6.84	6.00	11.10	12.83	
70	0.54	1.00	1.35	0.68	1.26	1.70	1.18	2.18	2.94	70 - 200
100	1.73	3.20	3.42	2.16	4.00	5.41	2.40	4.44	5.99	
125	2.34	3.24	3.42	2.93	5.42	6.84	3.25	6.01	8.11	
150	2.74	3.24	3.42	3.42	6.33	6.84	3.80	7.03	9.49	
175	3.06	3.24	3.42	4.19	6.48	6.84	4.65	8.60	11.61	
200	3.06	3.24	3.42	5.04	6.48	6.84	4.71	8.71	11.75	
100	0.80	1.48	2.00	0.72	1.33	1.79	0.80	1.48	2.00	100 - 300
150	1.31	2.42	3.26	1.16	2.15	2.91	1.31	2.42	3.26	
200	1.75	3.24	3.42	1.44	2.66	3.58	1.65	3.05	4.11	
250	2.31	3.24	3.42	1.80	3.33	4.50	2.31	4.27	5.76	
300	3.00	3.24	3.42	2.15	3.98	5.38	3.00	5.55	7.49	
200	2.35	3.24	3.42	2.82	5.22	6.84	3.29	6.09	8.23	200 - 450
300	3.06	3.24	3.42	4.24	6.48	6.84	4.94	9.14	12.34	
400	3.06	3.24	3.42	5.65	6.48	6.84	6.59	12.15	12.83	
450	3.06	3.24	3.42	6.12	6.48	6.84	7.41	12.15	12.83	

METRIC CONVERSION FACTORS: psig / 14.5 = Barg; $C_v / 1.16 = k_v$

TABLE 3B
FULL PORT FLOW CAPACITY – Cv
COMPOSITION DIAPHRAGM $F_L = 0.90$

Pressure Setpoint Psp psig	Cv Capacity @ % Droop						Range Spring psig
	BODY SIZE 1-1/4" (DN32)			BODY SIZE 1-1/2" (DN40)			
	10%	20%	30%	10%	20%	30%	
1	2.09	3.87	5.23	2.20	4.07	5.49	1 - 5
3	4.75	8.79	11.87	5.00	9.25	12.49	
5	7.79	14.41	19.45	8.20	15.17	20.48	
1	1.01	1.87	2.53	1.04	1.92	2.59	1 - 10
5	4.60	8.51	11.49	4.85	8.97	12.11	
10	7.25	13.41	18.10	7.91	14.63	19.75	
5	2.66	4.92	6.64	2.80	5.18	6.99	5 - 20
10	5.71	10.56	14.25	6.00	11.10	14.99	
15	8.59	15.89	19.67	9.41	17.41	23.51	
20	11.41	18.63	19.67	11.77	21.77	25.65	15 - 45
15	4.46	8.25	11.14	4.71	8.71	11.75	
25	7.41	13.71	18.51	7.80	14.43	19.48	
35	10.31	18.63	19.67	10.91	20.18	25.65	10 - 70
45	13.41	18.63	19.67	15.06	24.30	25.65	
10	1.56	2.89	3.91	1.65	3.05	4.11	
30	4.27	7.90	10.67	4.51	8.34	11.25	40 - 175
50	7.36	13.63	18.39	7.75	14.34	19.36	
70	10.00	18.50	19.67	10.59	19.59	25.65	
40	2.56	4.74	6.41	2.71	5.01	6.76	70 - 200
50	3.80	7.03	9.49	4.00	7.40	9.99	
75	5.22	9.66	13.05	5.51	10.19	13.75	
100	6.88	12.73	17.19	7.25	13.41	18.10	100 - 350 (Opt-80)
125	8.55	15.82	19.67	9.00	16.65	22.48	
70	2.85	5.27	7.11	3.00	5.55	7.49	
100	4.65	8.60	11.61	4.91	9.08	12.25	50 - 150
125	5.36	9.92	13.40	5.65	10.45	14.10	
150	6.27	11.60	15.66	6.60	12.21	16.48	
175	7.12	13.17	17.78	7.51	13.89	18.75	80 - 275 (Opt-80)
200	8.74	16.17	19.67	9.20	17.02	22.98	
100	6.00	11.10	14.99	6.47	11.97	16.16	
200	11.29	18.63	19.67	11.77	21.77	25.65	10 - 30
300	16.94	18.63	19.67	17.65	24.30	25.65	
350	17.60	18.63	19.67	20.35	24.30	25.65	

TABLE 3C
FULL PORT FLOW CAPACITY – Cv
COMPOSITION DIAPHRAGM $F_L = 0.90$

Pressure Setpoint Psp psig	Cv Capacity @ % Droop			Range Spring psig
	BODY SIZE 2" (DN50)			
	10%	20%	30%	
1	5.00	9.25	12.49	1 - 5
3	17.06	31.56	42.61	
5	27.53	48.60	51.30	
1	2.38	4.40	5.94	1 - 10
5	16.35	30.25	40.84	
10	26.00	48.10	51.30	
5	8.51	15.74	21.24	5 - 15
10	14.47	26.77	36.14	
15	22.35	41.35	51.30	
10	4.91	9.08	12.25	10 - 30
20	11.77	21.77	29.38	
30	17.65	32.65	44.07	
15	3.00	5.55	7.49	15 - 50
25	6.00	11.10	14.99	
35	8.71	16.11	21.74	
50	12.47	23.07	31.15	30 - 90
30	4.00	7.40	9.99	
60	8.20	15.17	20.48	
90	12.00	22.20	29.97	50 - 150
50	3.75	6.94	9.37	
75	6.00	11.10	14.99	
100	8.20	15.17	20.48	80 - 275 (Opt-80)
125	9.51	17.59	23.74	
150	12.47	23.07	31.15	
80	5.10	9.40	12.70	10 - 70
100	6.35	11.75	15.85	
200	12.70	23.50	31.70	
275	17.40	32.30	43.60	

TABLE 3D
FULL PORT FLOW CAPACITY – Cv COMPOSITION DIAPHRAGM $F_L = 0.90$

Pressure Setpoint Psp psig	Cv Capacity @ % Droop									Range Spring psig
	Body Size 2.5"			Body Size 3"			Body Size 4"			
	10%	20%	30%	10%	20%	30%	10%	20%	30%	
1	4.85	8.97	12.11	6.90	12.70	17.30	7.00	12.95	17.48	1 - 10
3	9.95	18.41	24.86	18.10	34.50	47.00	20.00	37.00	50.00	
5	21.18	39.18	52.89	29.06	53.76	72.58	35.06	64.86	89.00	
10	37.53	69.43	76.95	62.35	97.20	102.60	75.30	139.30	182.00	5 - 20
5	17.53	32.43	43.78	26.00	49.00	66.00	27.06	50.06	67.58	
10	30.00	55.50	75.00	44.50	81.20	104.00	45.06	83.36	112.00	
15	42.47	72.90	77.00	64.00	96.00	105.00	64.71	97.20	125.00	10 - 40
20	57.06	74.00	78.00	74.00	98.00	106.00	82.00	124.00	158.00	
10	17.53	32.43	43.78	25.00	45.00	62.00	25.06	46.36	63.00	
20	31.06	57.46	76.95	49.00	91.00	102.00	51.06	94.46	127.52	10 - 70
30	43.30	72.90	76.95	62.00	98.50	103.00	70.00	128.00	176.00	
40	60.00	72.90	76.95	94.00	102.00	105.00	104.00	178.20	191.00	
10	9.80	18.00	26.80	14.20	26.50	39.10	14.50	27.30	39.70	40 - 125
30	19.20	37.60	55.00	32.00	52.70	68.30	33.00	54.00	68.76	
50	40.20	69.40	79.50	47.00	88.00	103.00	48.00	89.67	121.06	
70	44.40	72.90	80.10	65.00	94.50	105.00	67.06	124.06	167.48	50 - 225
40	9.80	18.10	26.50	12.00	22.20	29.97	12.40	22.70	31.00	
50	12.57	23.70	37.00	17.06	31.56	42.61	17.30	32.00	43.20	
75	19.10	36.90	54.50	27.53	50.93	68.76	28.00	51.10	69.60	10 - 30
100	25.10	46.10	72.60	36.00	66.60	89.91	36.10	67.00	90.30	
125	31.00	57.80	79.30	42.47	78.57	104.00	43.90	79.20	118.00	
50	9.10	18.04	24.36	13.10	25.25	34.08	13.60	25.80	35.10	10 - 30
100	16.10	31.00	44.50	22.60	43.70	61.30	23.00	44.20	62.00	
150	24.10	45.20	63.00	31.50	59.40	88.20	32.00	60.50	89.00	
225	31.80	60.00	87.60	47.00	79.00	104.00	47.40	79.60	119.00	

METRIC CONVERSION FACTORS: psig / 14.5 = Barg; $C_v / 1.16 = k_v$

TABLE 4A
FULL PORT FLOW CAPACITY – Cv
METAL DIAPHRAGM $F_L = 0.90$

Pressure Setpoint Psp psig	Cv Capacity @ % Droop									Range Spring
	BODY SIZE - 1/2" (DN15)			BODY SIZE - 3/4" (DN20)			BODY SIZE - 1" (DN25)			
	10%	20%	30%	10%	20%	30%	10%	20%	30%	
5	1.24	2.30	3.10	1.32	2.44	3.29	1.72	3.15	3.33	1 - 10
10	1.66	3.06	3.33	2.24	3.15	3.33	2.46	3.15	3.33	
5	0.87	1.60	2.16	1.08	2.00	2.70	1.20	2.22	3.00	5 - 20
10	1.37	2.53	3.33	1.71	3.15	3.33	1.90	3.15	3.33	
15	1.66	3.06	3.33	2.07	3.15	3.33	2.30	3.15	3.33	
20	1.66	3.06	3.33	2.98	3.15	3.33	2.98	3.15	3.33	
10	0.41	0.77	1.03	0.52	0.97	1.30	0.58	1.07	1.45	10 - 35
20	0.92	1.71	2.30	1.15	2.13	2.88	1.28	2.37	3.20	
30	1.50	2.77	3.33	1.87	3.15	3.33	2.08	3.15	3.33	
35	1.60	2.96	3.33	2.16	3.15	3.33	2.40	3.15	3.33	
20	0.32	0.58	0.79	0.40	0.73	0.99	0.44	0.82	1.10	20 - 80
40	0.53	0.98	1.33	0.67	1.24	1.67	0.74	1.37	1.85	
60	1.12	2.08	2.81	1.40	2.59	3.33	1.56	2.89	3.33	
80	1.57	2.90	3.33	1.96	3.15	3.33	2.18	3.15	3.33	
30	0.29	0.53	0.72	0.36	0.67	0.90	0.40	0.74	1.00	30 - 150
50	0.50	0.93	1.26	0.63	1.17	1.57	0.70	1.30	1.75	
75	0.87	1.60	2.16	1.08	2.00	2.70	1.20	2.22	3.00	
100	1.10	2.03	2.74	1.37	2.53	3.33	1.52	2.81	3.33	
125	1.44	2.66	3.33	1.80	3.15	3.33	2.00	3.15	3.33	
150	1.59	2.93	3.33	1.98	3.15	3.33	2.40	3.15	3.33	
70	0.22	0.40	0.54	0.27	0.50	0.68	0.47	0.87	1.18	70 - 200
100	0.69	1.28	1.73	0.87	1.60	2.16	0.96	1.78	2.40	
125	0.94	1.73	2.34	1.17	2.17	2.93	1.30	2.40	3.24	
150	1.10	2.03	2.74	1.37	2.53	3.33	1.52	2.81	3.33	
175	1.34	2.48	3.33	1.68	3.10	3.33	1.86	3.15	3.33	
200	1.60	2.96	3.33	2.01	3.15	3.33	1.88	3.15	3.33	
100	0.32	0.59	0.80	0.29	0.53	0.72	0.32	0.59	0.80	100 - 300
150	0.52	0.97	1.30	0.47	0.86	1.16	0.52	0.97	1.30	
200	0.70	1.30	1.75	0.57	1.06	1.43	0.66	1.22	1.65	
250	0.92	1.71	2.30	0.72	1.33	1.80	0.92	1.71	2.30	
300	1.20	2.22	3.00	0.86	1.59	2.15	1.20	2.22	3.00	
200	0.94	1.74	2.35	1.13	2.09	2.82	1.32	2.44	3.29	
300	1.41	2.61	3.33	1.69	3.13	3.33	1.98	3.15	3.33	200 - 450 (Opt-80)
400	1.66	3.06	3.33	2.26	3.15	3.33	2.64	3.15	3.33	
450	1.66	3.06	3.33	2.54	3.15	3.33	2.96	3.15	3.33	

METRIC CONVERSION FACTORS: psig / 14.5 = Barg; $C_v / 1.16 = k_v$

TABLE 4B
FULL PORT FLOW CAPACITY – Cv
METAL DIAPHRAGM $F_L = 0.90$

Pressure Setpoint Psp psig	Cv Capacity @ % Droop						Range Spring psig
	BODY SIZE 1-1/4" (DN32)			BODY SIZE 1-1/2" (DN40)			
	10%	20%	30%	10%	20%	30%	
5	1.84	3.40	4.60	1.94	3.59	4.84	1 - 10
10	2.90	5.36	5.70	3.16	5.40	5.70	
5	1.06	1.97	2.66	1.12	2.07	2.80	5-20
10	2.28	4.22	5.70	2.40	4.44	5.70	
15	3.44	5.40	5.70	3.76	5.40	5.70	
20	4.56	5.40	5.70	4.71	5.40	5.70	
15	1.78	3.30	4.45	1.88	3.48	4.70	15 - 45
25	2.96	5.40	5.70	3.12	5.40	5.70	
35	4.12	5.40	5.70	4.36	5.40	5.70	
45	5.10	5.40	5.70	5.10	5.40	5.70	
10	0.63	1.16	1.56	0.66	1.22	1.65	10 - 70
30	1.71	3.16	4.27	1.80	3.33	4.50	
50	2.95	5.40	5.70	3.10	5.40	5.70	
70	4.00	5.40	5.70	4.24	5.40	5.70	
40	1.03	1.90	2.56	1.08	2.00	2.70	40 - 175
50	1.52	2.81	3.80	1.60	2.96	4.00	
75	2.09	3.87	5.22	2.20	4.07	5.50	
100	2.75	5.09	5.70	2.90	5.36	5.70	
125	3.42	5.40	5.70	3.60	5.40	5.70	70 - 200
70	1.14	2.11	2.84	1.20	2.22	3.00	
100	1.86	3.44	4.64	1.96	3.63	4.90	
125	2.15	3.97	5.36	2.26	4.18	5.64	
150	2.51	4.64	5.70	2.64	4.88	5.70	
175	2.85	5.27	5.70	3.00	5.40	5.70	
200	3.50	5.40	5.70	3.68	5.40	5.70	100 - 350 (Opt-80)
100	2.40	4.44	5.70	2.59	4.79	5.70	
200	4.52	5.40	5.70	4.71	5.40	5.70	
300	5.10	5.40	5.70	5.10	5.40	5.70	
350	5.10	5.40	5.70	5.10	5.40	5.70	

TABLE 4C
FULL PORT FLOW CAPACITY – Cv
METAL DIAPHRAGM $F_L = 0.90$

Pressure Setpoint Psp psig	Cv Capacity @ % Droop			Range Spring psig
	BODY SIZE 2" (DN50)			
	10%	20%	30%	
5	6.54	10.80	11.40	1 - 10
10	10.20	10.80	11.40	
5	3.40	6.29	8.50	5 - 15
10	5.79	10.71	11.40	
15	8.94	10.80	11.40	
10	1.96	3.63	4.90	10 - 30
20	4.71	8.71	11.40	
30	7.06	10.80	11.40	
15	1.20	2.22	3.00	15 - 50
25	2.40	4.44	5.99	
35	3.48	6.44	8.70	
50	4.99	9.23	11.40	
30	1.60	2.96	4.00	30 - 90
60	3.28	6.07	8.19	
90	4.80	8.88	11.40	
50	1.50	2.78	3.75	50 - 150
75	2.40	4.44	5.99	
100	3.28	6.07	8.19	
125	3.80	7.03	9.50	
150	4.99	9.23	11.40	
80	2.10	3.80	5.00	
100	2.60	4.75	6.25	
200	5.25	9.50	11.40	
275	7.20	11.30	11.40	

METRIC CONVERSION FACTORS: psig / 14.5 = Barg; $C_v / 1.16 = k_v$

TABLE 5
MAXIMUM DIAPHRAGM RATING

NOTE: The below ratings may be further "derated" by limitations through the Pressure Equipment Directive (2014/68/EU).

Diaphragm Material	Standard Diaphragm Construction psig (Barg) *	
	Body Size in (DN)	
	1/2" – 2" (15–50)	2-1/2" – 4" (65–100)
BC, EPR	1250 (86.1)	800 (55.1)
NBR	450 (31.0)	300 (20.6)
FKM, FKM+TFE, FK	700 (48.2)	550 (37.9)
3-ply (PTFE+FKM+PTFE) **	125 (8.6)	125 (8.6)
Metal (Be-Cu)	1500 (103)	N/A

* Maximum setting of pressure safety device – safety relief valve or rupture disc.

** For Steam applications.

NA = Not Available

DAG TECHNICAL APPENDIX INDEX

TABLE	TITLE	PAGE
DAG-1A	DI – Press vs Temp vs End Conn Ratings	10
DAG-1B	BRZ – Press vs Temp vs End Conn Ratings	11
DAG-1C	CS – Press vs Temp vs End Conn Ratings - Design Inlet	12
DAG-1D	Design Outlet - DA1	12
DAG-1E	SST – Press vs Temp vs End Conn Ratings – Design Inlet	13
DAG-1F	Design Outlet - DA1	13
DAG-1G	HC – Press vs Temp vs End Conn Ratings – Design Inlet	14
DAG-1H	Design Outlet - DA1	14
DAG-2	Max Pressure Drop - Comp Seat	15
DAG-3	Max Pressure Drop - Dynamic Seal Design	15
DAG-4	Max Pressure Drop - Basic Trim Mat'ls	15
DAG-5	Temperature Limits – Elastomer Mat'ls	16
DAG-6	Reducer Max Capacity - Plug Wide Open	17
DAG-9	Reducer Lower Piston Spring range	17
DAG-10	Inboard Leakage Ratings	18
DAG-11	Reducer Recommended Velocity Limits	18
DAG-13	Max Recommended Noise Limits	18
DAG-14	Recommended Internal Materials - Liquids	19
DAG-14	Recommended Internal Materials - Gases	19
DAG-14	Supplement - Chemical Resistance	20
DAG-15	ISR Effect	20
FIGURE		
DAG-F1	Dynamic/Static Seals	21
DAG-F2	Location of Body/Spring Chamber Taps	22

TABLE DAG-1A
DI – DUCTILE IRON
BODY / TOPWORKS MATERIAL SPECIFICATIONS
DESIGN PRESSURE vs. TEMPERATURE vs. END CONNECTION RATINGS
(To ASME B16.1 for Flanged and B16.4 for NPT Connections per Cast Iron Rating)

Material Specifications (Body / Topworks)		End Connection – Inlet & Outlet				
		Temperature °F	Working Pressure – psig			
Description (Abbr.)	ASTM No.		End Connection – Pressure Class			
		NPT	125# FF	250# RF		
DI/DI (Note 1)	A395/ A395	-20° to +150°	400	200	500	
		200°	370	190	460	
		225°	355	180	440	
		250°	340	175	415	
		300°	310	165	375	
		350°	300	150	335	
		400°	250	140	290	
		406°	250	140	290	
			400 WOG, 250 S	225 WOG, 125 S	400 WOG, 250 S	
		Temperature °C	Working Pressure – Barg			
			End Connection – Pressure Class			
			NPT	125# FF	250# RF	
			-29° to +65°	27.6	13.8	34.5
			107	24.5	12.5	30.2
			120°	23.4	12.1	28.7
150°	21.2		11.2	25.7		
177°	19.2		10.6	23.8		
204°	17.5	9.6	20.3			

NOTE 1: Whenever body and topworks materials are mixed, the P vs. T ratings that should be applied are those which are lowest of the two materials.

Example: CS body, DI topworks; NPT end connections, 200°F temperature.

Because the topworks is not “end flanged”, use the DI limits of "400 PSIG CWP 370/200F" from above to compare to CS limits from DAG-1C values. The DI limits are lower, so ratings from DAG-1A MUST be used as the limits.

NOTE 2: Unless stated otherwise, design pressure is Maximum Allowable Working Pressure (MAWP) for Inlet and Outlet.

**TABLE DAG-1B
BRZ – BRONZE
BODY / TOPWORKS MATERIAL SPECIFICATIONS**

**DESIGN PRESSURE vs. TEMPERATURE vs. END CONNECTION RATINGS
(Per ASME B16.24 for Flanged and B16.15 for NPT Connections)**

Material Specifications (Body / Topworks)		End Connection – Inlet & Outlet (Note 2)				
Description (Abbr.)	ASTM No.	Temperature °F	Working Pressure –psig			
			End Connection – Pressure Class			
			NPT	150# FF	300# FF	
BRZ/BRZ (Note 1)	B62, Alloy C83600/B62, Alloy C83600	-325° to +150° *	700 † / 500	225	500	
		175°	390	220	480	
		200°	385	210	465	
		225°	375	205	445	
		250°	365	195	425	
		300°	335	180	390	
		350°	300	165	350	
		400°	250	150	315	
		406°	250	150	315	
		Temperature °C	Working Pressure – Barg			
			End Connection – Pressure Class			
			NPT	150# FF	300# FF	
			-198° to +65° *	48.3 † / 34.5	15.5	34.5
			107°	25.8	14.0	30.8
			120°	25.1	13.5	29.5
			150°	23.0	12.4	26.8
			177°	20.4	11.3	24.0
			204°	17.8	10.3	21.4

NOTE 1: Whenever body and topworks materials are mixed, the P vs. T ratings that should be applied are those which are lowest of the two materials.

Example: BRZ body, DI topworks; NPT end connections, ambient temperature.
Because the topworks is not “end flanged”, use the DI limits of "400 PSIG CWP 370/200F" from DAG-1A to compare to above DAG-1B values. The DI limits are lower, so ratings from DAG-1A MUST be used as the limits.

NOTE 2: Unless stated otherwise, design pressure is Maximum Allowable Working Pressure (MAWP) for Inlet and Outlet.

† **For Pressure Reducing Regulator DA1** use 700 psig (48.2 Barg) inlet / 500 psig (34.4 Barg) outlet at 150°F as maximum limits.

* See Minimum Temperature Ratings Table below.

**DESIGN PRESSURE RATING
AT MIN. TEMPERATURE**

Regulator Function	Material Specifications (Body / Topworks - Connections) Description (Abbr.)	Pressure at Min. Temperature
Pressure Reducing	BRZ/BRZ - NPT	Inlet - 700 psig CWP to -325°F (-198°C)
		Outlet - 500 psig CWP to -325°F (-198°C)
	SST/SST - NPT, BSP, Ext. Nipples, Tube Ends and 600# Flgs	Inlet - 1440 psig CWP to -425°F (-254°C)
		Outlet - 625 psig CWP to -425°F (-254°C)

Body Material Specifications

Cast Steel A216 Gr. WCB or Steel Weldment A216 Gr. WCB w/ forged flanges A105

Alternate Material: Cast Steel A352 Gr. LCC or Steel Weldment A352 Gr. LCC w/ forged flanges A350 Gr. LF6 Class 2

Topworks Material Specifications

Cast Steel A216 Gr. WCB.

(For Option-80 Sizes 1/2"-1-1/2" Steel Weldment A516 Gr. 55 & A106; Size 2" ASTM A216, Gr. WCB)

Alternate Material: Cast Steel A352 Gr. LCC

DESIGN PRESSURE vs. TEMPERATURE vs. END CONNECTION RATINGS

(Per ASME B16.5 and B16.34) See NOTE 1

TABLE DAG-1C				
DESIGN INLET PRESSURE FOR DA1				
in PSIG (BARG)				
CONSTRUCTION	END CONNECTIONS			
DESIGN TEMP. RANGE: Deg F (Deg C) **	NPT, BSP	600#, EXTD NIPP	150#	300#
-20 to +100 (-29 to +38)	1480 (102.1)	1480 (102.1)	285 (19.6)	740 (51.1)
-20 to +200 (-29 to +93)	1360 (94.2)	1360 (94.2)	260 (17.9)	680 (47.1)
-20 to +300 (-29 to +149)	1310 (90.3)	1310 (90.3)	230 (15.8)	655 (45.1)
-20 to +400 (-29 to +204)	1265 (87.3)	1265 (87.3)	200 (13.7)	635 (43.6)

** Alternate Mat'l: ASTM 352 Gr. LCC Minimum Temperature -50 °F (-46 °C).

TABLE DAG-1D			
DESIGN OUTLET PRESSURE FOR DA1			
in PSIG (BARG)			
CONSTRUCTION	END CONNECTIONS		
DESIGN TEMP. RANGE: Deg F (Deg C) **	NPT, BSP, 600#, EXTD NIPP	150#	300#
-20 to +100 (-29 to +38)	750 (51.7)	285 (19.6)	740 (51.1)
-20 to +200 (-29 to +93)	680 (47.1)	260 (17.9)	680 (47.1)
-20 to +300 (-29 to +149)	655 (45.1)	230 (15.8)	655 (45.1)
-20 to +400 (-29 to +204)	635 (43.6)	200 (13.7)	635 (43.8)

** Alternate Mat'l: ASTM 352 Gr. LCC Minimum Temperature -50 °F (-46 °C).

NOTE 1: These pressure ratings may be further derated by limitations through the Pressure Equipment Directive (2014/68/EU). Whenever body and topworks are mixed, the P vs. T ratings that should be applied are those which are lowest for the two materials.

Example: 600 lb. RF flanged steel body at 200 deg F maximum temp would have a preliminary inlet to 1360 psig and outlet to 680 psig, but if fitted with a ductile iron topworks pressure rating is only 370 psig. Must derate both the inlet and outlet to 370 psig. (Note: Topworks pressure rating, same as NPT design outlet pressure rating for the selected topworks material and diaphragm type.)

Body Material Specifications

Cast Stainless Steel A351 Gr.CF3M or Stainless Steel Weldment A315 Gr. CF3M w/ forged flanges A182 Gr. F 316L

Alternate Material: Super Duplex SST A995/A995M Gr. 6A

Topworks Material Specifications

Cast Stainless Steel A351 Gr.CF3M.

(For Option-80 Sizes 1/2"-1-1/2" Stainless Steel Weldment A312 Gr. 316/316L, A479 Gr. 316/316L, Size 2" is ASTM A351 Gr. CF3M)

Alternate Material: Super Duplex SST A995/A995M Gr. 6A

DESIGN PRESSURE vs. TEMPERATURE vs END CONNECTION RATINGS

(Per ASME B16.5 and B16.34) See NOTE 1

TABLE DAG-1E				
DESIGN INLET PRESSURE FOR DA1				
in PSIG (BARG)				
CONSTRUCTION *	END CONNECTIONS			
DESIGN TEMP. RANGE: Deg F (Deg C) **	NPT, BSP	600#, EXTD NIPP, TUBE	150#	300#
-425 to +100 (-254 to +38)	1440 (99.3)	1440 (99.3)	275 (19.0)	720 (49.6)
-20 to +200 (-29 to +93)	1240 (86.1)	1240 (86.1)	235 (16.5)	620 (43.0)
-20 to +300 (-29 to +149)	1120 (77.1)	1120 (77.1)	215 (14.8)	560 (38.6)
-20 to +400 (-29 to +204)	1025 (70.9)	1025 (70.9)	195 (13.6)	515 (35.5)

** Alternate Mat!: ASTM 995 / 995M Gr. 6A Super Duplex SST
Minimum Temperature -60 °F (-51 °C).

TABLE DAG-1F			
DESIGN OUTLET PRESSURE FOR DA1			
in PSIG (BARG)			
CONSTRUCTION *	END CONNECTIONS		
DESIGN TEMP. RANGE: Deg F (Deg C) **	NPT, BSP, 600#, EXTD NIPP, TUBE	150#	300#
-425 to +100 (-254 to +38)	625 (43.0)	275 (19.0)	625 (43.0)
-20 to +200 (-29 to +93)	620 (42.3)	235 (16.5)	620 (42.3)
-20 to +300 (-29 to +149)	560 (38.6)	215 (14.8)	560 (38.6)
-20 to +400 (-29 to +204)	515 (35.5)	195 (13.6)	515 (35.5)

** Alternate Mat!: ASTM 995 / 995M Gr. 6A Super Duplex SST
Minimum Temperature -60 °F (-51 °C).

* For Temperatures below -20°F - refer to page 11 for Design Pressure Rating at Min. Temperature.

NOTE 1: These pressure ratings may be further derated by limitations through the Pressure Equipment Directive (2014/68/EU). Whenever body and topworks are mixed, the P vs. T ratings that should be applied are those which are lowest for the two materials.

Example: 300 lb. RF flanged SST body at 200 deg F maximum temp would have a preliminary inlet and outlet to 620 psig, but if fitted with a ductile iron topworks pressure rating is only 400 psig. Must derate both the inlet and outlet to 400 psig. (Note: Topworks pressure rating, same as NPT design outlet pressure rating for the selected topworks material and diaphragm type.

The ratings are the same as above, if substitute steel topwork material.

Maximum Design Pressure Rating for 2" Opt -41 limited by 0.065" wall thickness to 1200 psig.

300# Flanges are derated due to the bolting for these products.

Body Material Specifications

Cast Hastelloy A494 Gr. CW-12MW or Hastelloy Weldment A494 Gr. CW-12MW w/ forged flanges B462 Gr. N10276

Topworks Material Specifications

Cast Steel A216 Gr. WCB. (For Option-80 Steel Weldment A516 Gr. 55 & A106)

DESIGN PRESSURE vs. TEMPERATURE vs END CONNECTION RATINGS

(Per ASME B16.5 and B16.34) See NOTE 1

TABLE DAG-1G			
DESIGN <u>INLET</u> PRESSURE FOR DA1			
in PSIG (BARG)			
CONSTRUCTION	END CONNECTIONS		
DESIGN TEMP. RANGE: Deg F (Deg C)	NPT, BSP	150#	300#
-325 to +100 (-198 to +38)	1200 (82.7)	230 (15.9)	600 (41.4)
-20 to +200 (-29 to +93)	1105 (76.4)	210 (14.7)	550 (38.2)
-29 to +300 (-29 to +149)	1040 (71.8)	200 (13.7)	520 (35.9)
-20 to +400 (-29 to +204)	980 (67.6)	190 (12.9)	490 (33.8)

TABLE DAG-1H			
DESIGN <u>OUTLET</u> PRESSURE FOR DA1			
in PSIG (BARG)			
CONSTRUCTION	END CONNECTIONS		
DESIGN TEMP. RANGE: Deg F (Deg C)	NPT, BSP	150#	300#
-325 to +100 (-198 to +38)	625 (43.0)	230 (15.9)	600 (41.4)
-20 to +200 (-29 to +93)	550 (38.2)	210 (14.7)	550 (38.2)
-20 to +300 (-29 to +149)	520 (35.9)	200 (13.7)	520 (35.9)
-20 to +400 (-29 to +204)	490 (33.8)	190 (12.9)	490 (33.8)

NOTE 1: These pressure ratings may be further derated by limitations through the Pressure Equipment Directive (2014/68/EU).

**TABLE DAG-2
MAXIMUM PRESSURE DROP FOR
COMPOSITION SEATS**

Body Size		Max. Pressure Drop - psid (Bard)										
		Seat Material										
in	(DN)	BC, NBR, POLYALL *, FKM					GF-TFE					
		Liquid *		Gas		Steam	Liquid *		Gas		Steam √	
1/2" – 1"	(15-25)	600	(41.3)	750	(51.7)	DNA	450	(31.0)	1000	(68.9)	150/125	(10.3/8.6)
1-1/4" – 1-1/2"	(32-40)	600	(41.3)	600	(41.3)	DNA	450	(31.0)	900	(62.0)	150/125	(10.3/8.6)
2"	(50)	600	(41.3)	600	(41.3)	DNA	450	(31.0)	750	(51.7)	150/125	(10.3/8.6)
2-1/2" – 4"	(65-100)	500	(34.4)	600	(41.3)	DNA	450	(31.0)	750	(51.7)	125	(8.6)
		V-TFE					CTFE					
1/2" – 1"	(15-25)	300	(20.7)	600	(41.3)	125	(8.6)	600	(41.3)	3000	(206.9)	DNA
1-1/4" – 1-1/2"	(32-40)	300	(20.7)	600	(41.3)	125	(8.6)	600	(41.3)	3000	(206.9)	DNA
2"	(50)	300	(20.7)	600	(41.3)	125	(8.6)	600	(41.3)	2000	(137.9)	DNA
2-1/2" – 4"	(65-100)	300	(20.7)	450	(31.0)	125	(8.6)	500	(34.4)	1500	(103.4)	DNA

* Only seat material to be applied in liquid "partially cavitating" service is PolyAll.
√ Steam Service: metal diaphragm/composition diaphragm.
N/A = Not Available
DNA = Do Not Apply

**TABLE DAG-3
MAXIMUM PRESSURE DROP FOR
DYNAMIC SEAL DESIGNS**

Body Size		Max. Pressure Drop - psid (Bard)														
		Dynamic Seal Design														
in	(DN)	"OR" – O-RING *					"CP" – TFE CAP					"CW" – TFE CAP w/WIPER				
		Liquid *		Gas *		Steam	Liquid		Gas		Steam	Liquid		Gas		Steam
1/2" – 1"	(15-25)	600	(41.3)	750	(51.7)	DNA	600	(41.3)	600	(41.3)	DNA	450	(31.0)	600	(41.3)	DNA
1-1/4" – 1-1/2"	(32-40)	600	(41.3)	750	(51.7)	DNA	600	(41.3)	600	(41.3)	DNA	450	(31.0)	600	(41.3)	DNA
2"	(50)	600	(41.3)	750	(51.7)	DNA	600	(41.3)	600	(41.3)	DNA	450	(31.0)	600	(41.3)	DNA
2-1/2" – 4"	(65-100)	600	(41.3)	750	(51.7)	DNA	600	(41.3)	600	(41.3)	DNA	450	(31.0)	600	(41.3)	DNA
		"PR" – PISTON RING ASSY.					"PW" – PISTON RING ASSY. w/WIPER					"UC" – U-CUP				
1/2" – 1"	(15-25)	DNA	DNA	√ 150/125	(10.3/8.6)	DNA	DNA	√ 150/125	(10.3/8.6)	600	(41.3)	3000	(206.9)	DNA		
1-1/4" – 1-1/2"	(32-40)	DNA	DNA	√ 150/125	(10.3/8.6)	DNA	DNA	√ 150/125	(10.3/8.6)	600	(41.3)	3000	(206.9)	DNA		
2"	(50)	DNA	DNA	√ 150/125	(10.3/8.6)	DNA	DNA	√ 150/125	(10.3/8.6)	600	(41.3)	3000	(206.9)	DNA		
2-1/2" – 4"	(65-100)	DNA	DNA	125	(8.6)	DNA	DNA	125	(8.6)	600	(41.3)	3000	(206.9)	DNA		

* Only seat material to be applied in liquid "partially cavitating" or "flashing" service is PolyAll.
√ Steam Service: metal diaphragm/composition diaphragm.
N/A = Not Available DNA = Do Not Apply wo/ = without w/ = with

**TABLE DAG-4
MAXIMUM PRESSURE DROP FOR
BASIC TRIM MATERIAL**

Body Size		Max Pressure Drop - psid (Bard)							
		Basic Trim Material							
in	(DN)	"P" – 17-4PH SST		"S" – 316L SST		"M" – Monel		"T" – Hybrid *	
1/2" – 2"	(15-50)	3000	(206.9)	800	(55.1)	1500	(103.4)	3000	(206.9)
2-1/2" – 4"	(65-100)	3000	(206.9)	800	(55.1)	1500	(103.4)	3000	(206.9)

* 17-4PH SST plug & piston, Monel cage.

**TABLE DAG-5
TEMPERATURE LIMITS
FOR ELASTOMERIC MATERIALS**

Elastomer			T Maximum		T Minimum	
Seats	ID	Description	°F	(°C)	°F	(°C)
		PolyAll	Proprietary Polyurethane Derivative	225°	(107°)	-60°
	GF-TFE	Glass-filled Polytetrafluorethylene	425°	(218°)	-325°	(-198°)
	V-TFE	Virgin TFE	400°	(205°)	-325°	(-198°)
	CTFE	Chlorotrifluoroethylene TFE	300°	(148°)	-325°	(-198°)
	BC	Neoprene	225°	(107°)	-35°	(-37°)
	NBR	Buna-N	320°	(160°)	-40°	(-40°)
	FKM	Fluorocarbon Elastomer	400°	(205°)	0°	(-17°)
Diaphragms	3-Ply	3-Ply TFE/FKM/TFE	400°	(205°)	0°	(-17°)
	BC	Neoprene (Polychloroprene)	250°	(121°)	-65°	(-53°)
	EPR	Ethylene Propylene	300°	(148°)	-40°	(-40°)
	FK	Fluorosilicone	350°	(177°)	-65°	(-54°)
	FKM	Fluorocarbon Elastomer	400°	(205°)	0°	(-17°)
	NBR	Buna-N (Nitrile)	250°	(121°)	-70°	(-56°)
	FKM+TFE	Fluorocarbon Elastomer + TFE	400°	(205°)	0°	(-17°)
Static Seals	RTFE	Bronze-filled TFE	425°	(218°)	70°	(21°)
	V-TFE	Virgin TFE	400°	(205°)	-325°	(-198°)
	EPR	Ethylene Propylene	300°	(148°)	-40°	(-40°)
	FK	Fluorosilicone	350°	(177°)	-65°	(-54°)
	FKM	Fluorocarbon Elastomer	400°	(205°)	-20°	(-28°)
	NBR	Buna-N	212°	(100°)	-40°	(-40°)
	SST/TFE	301/302 SST U-cup / TFE	400°	(205°)	-325°	(-198°)
	HC/TFE	Hastelloy C U-cup / TFE	400°	(205°)	-325°	(-198°)
Dynamic Seals	"PR"	Piston Ring Assy, GF-TFE / SST	425°	(218°)	-40°	(-40°)
	"PW"	PRA* w/Wiper, GF-TFE / SST / GF-TFE	425°	(218°)	70°	(21°)
	"CW" – EPR/TFE	TFE Cap Seal, EPR O-ring, GF-TFE Wiper	300°	(148°)	-40°	(-40°)
	"CW" – NBR/TFE	TFE Cap Seal, NBR O-ring, GF-TFE Wiper	212°	(100°)	-40°	(-40°)
	"CW" – FK/TFE	TFE Cap Seal, FK O-ring, GF-TFE Wiper	350°	(177°)	-40°	(-40°)
	"CW" – FKM/TFE	TFE Cap Seal, FKM O-ring, GF-TFE Wiper	400°	(205°)	-20°	(-28°)
	"CP" – EPR/TFE	TFE Cap Seal, EPR O-ring	300°	(148°)	-40°	(-40°)
	"CP" – NBR/TFE	TFE Cap Seal, NBR O-ring	212°	(100°)	-40°	(-40°)
	"CP" – FK/TFE	TFE Cap Seal, FK O-ring	350°	(177°)	-10°	(-23°)
	"CP" – FKM/TFE	TFE Cap Seal, FKM O-ring	400°	(205°)	-20°	(-28°)
	SST/TFE	301/302 SST U-cup / TFE	400°	(205°)	-325°	(-198°)
	HC/TFE	Hastelloy C U-cup / TFE	400°	(205°)	-325°	(-198°)
	ELG/TFE	Elgiloy / TFE U-cup	400°	(205°)	-325°	(-198°)

* PRA - Piston Ring Assembly

Metal Diaphragm		T Maximum		T Minimum	
ID	Description	°F	(°C)	°F	(°C)
BE-CU	Beryllium Copper	400°	(205°)	-325°	(-198°)

ABBREVIATIONS

FK = Fluorosilicone	NBR = Buna-N	PTFE = Polytetrafluoroethylene	PRA = GF-TFE/SST
FKM = Fluorocarbon Elastomer	RTFE = Brz-fill TFE	V-TFE = Virgin TFE	BC = Neoprene
EPR = Ethylene Propylene	GF-TFE = Glass-fill TFE	CTFE = Chlorotrifluoroethylene TFE	ELG = Elgiloy

**TABLE DAG-6
REDUCER MAXIMUM CAPACITY WITH PLUG WIDE-OPEN**

Body Size		Full Port Max Capacity		Full Port Max Capacity	
in	(DN)	Cv	Kv	Cv	Kv
1/2"	(15)	4.0	3.4	3.5	3.0
3/4"	(20)	8.0	6.9	3.5	3.0
1"	(25)	15	13	3.5	3.0
1-1/4"	(32)	23	20	6.0	5.2
1-1/2"	(40)	30	26	6.0	5.2
2"	(50)	60	52	12	10.4
2-1/2"	(65)	90	78	X	
3"	(80)	120	104		
4"	(100)	220	190		
Diaphragm		Composition		Metal	
NOTE: The above Cv factors may be used for sizing of safety relief valves or rupture discs.					

**TABLE DAG-9
REDUCER – LOWER PISTON SPRING RANGES**

Basic Unit		Lower Piston Spring Range psig	Application Notes
Model	Diaphragm		
DA1	Comp	1-2	1-5 and 1-10 range spring only
DA1	Metal	4-10	–

- NOTES:**
1. All metallic diaphragm constructions MUST include a lower piston spring.
 2. The 1–2 psig lower piston spring should only be used with low pressure setpoints. (Psp ≤ 10 psig) and with composition diaphragms.
 3. Lower spring material matches main metallic trim in corrosion resistance.

**TABLE DAG-10
INBOARD LEAKAGE RATINGS *
Per ANSI/FCI 70-2**

Seat Material	Dynamic Seal	
	O-Ring	Dynamic Seals Except O-Ring
CTFE, GF-TFE, and V-TFE	IV	IV
BC, NBR, PolyAll, FKM	VI	IV
*Inboard leak rates are the composite leakage of the seat leakage + dynamic seal leakage, considered as a single inboard leakage value.		

**TABLE DAG-11
REDUCER RECOMMENDED VELOCITY LIMITS**

Application Fluid	Valve		Valve Body Outlet		Downstream Pipe		Units
	Type	Size Range	Recommend	Max.	Recommend	Max.	
Liquid	PRV	1/2"-4"	15	20	5-8	16	Ft/Sec
		6"	15	25	7-12	20	
		8"-12"	-	-	9-14	24	
Gas	PRV	1/2"-1"	0.20	0.40	0.15	0.30	Mach #
		1-1/4"-2"	0.25	0.45	0.20	0.30	
		2-1/2"-6"	0.30	0.50	0.25	0.35	
		8"-12"	-	-	0.25	0.40	
Steam	PRV	1/2"-1"	0.20	0.30	0.10	0.30	Mach #
		1-1/4"-2"	0.22	0.32	0.12		
		2-1/2"-6"	0.25	0.35	0.20		
		8"-12"	-	-	0.22		
NOTES: <ol style="list-style-type: none"> Liquids experiencing no 2-phase flow at valve outlet will have same valve body outlet velocity as inlet velocity. Liquids experiencing 2-phase flow at valve outlet should have average velocity less than 150-200 ft/sec. Liquids experiencing 2-phase flow at outlet pipe should have average velocity less than 20-50 ft/sec. If valve outlet exceeds recommended limits, then can use external sensing to reach maximum limits. On gas service, a pilot operated prv can work with a outlet Mach = 0.75. 							

**TABLE DAG 13
MAXIMUM RECOMMENDED NOISE LIMITS ***

Criteria	Body Sizes		Noise Level - dBA
	in	(DN)	
Per OSHA Regs. w/noise attenuation methods incorporated.	All	All	85-95
Sch. 80 pipe, no insulation.	1/2"-2"	(15-50)	95
Std. wt. pipe, no insulation.	2-1/2"-4"	(65-100)	98
* Consult Factory for ALL applications exceeding 97 dBA noise prediction.			

Schemes To Reduce High Noise –

- **Staging** – using two separate throttling valves in series.
- **dB Plates** – using 1, 2 or 3-stage dB Plate cartridges downstream of a throttling valve.
- **Paralleling** – using two separate throttling valves in parallel.
- **Combinations** – using multiple methods of above three possibilities.

TABLE DAG-14
RECOMMENDED INTERNAL MATERIALS
For P_{max} Reference Individual Technical Bulletins

	LIQUIDS				
	Fluid	Tmax °F	Tmin °F	Metal Trim	
LIQUIDS	Industrial Water – Cold	180°	32°	P1	
	Hot	225°	32°	P4	
	DI, DM	225°	32°	PJ	
		250°	32°	PL	
	Seawater	180°	-20°	MQ, MW	
	Fuel Oils – Diesel, #1, #2‡	180°	-30°	P5	
	Bunker C, #3 - #6‡	180°	-30°	P5	
		400°	0°	PC	
	Jet Fuel JP3, JP4, JP5, JP6‡	400°	0°	PC	
	Kerosene‡	400°	0°	PC	
	Crude Oils – Sweet‡	225°	0°	PA	
		400°	0°	PC	
	Sour‡	225°	0°	NS	
	Heat Transfer Oils – Dowtherm, Therminol, Mobil-Therm, Silvatherm	400°	0°	PC	
	Misc. Oils – Lube Oil‡	180°	-30°	P5	
Naptha‡	400°	0°	PC		
Turbine Oil‡	225°	0°	PA		
LIQUIDS	Edible Oils – Vegetable Oil‡	180°	-30°	PH	
	Animal Fats‡	180°	-30°	PH	
	Seed Oils‡	180°	-30°	PH	
	Inorganic Acids – Acetic - 5%	100°	0°	SL	
		Acetic - 30%	100°	0°	SL
		Sulfuric - conc.	100°	0°	CF *
		Sulfuric - dilute	100°	0°	CF *
		Nitric - conc.	140°	0°	SL
		Nitric - dilute	140°	0°	SL
		Hydrofluoric (air free) - dilute, concentrate	100°	0°	CF *
		Hydrobromic	140°	0°	CF *
	Phosphoric - dilute, concentrate	150°	0°	SL	
	LIQUIDS	Misc. Liquids – Gasoline‡	150°	-30°	P5
		Benzene (C ₆ H ₆)‡	150°	0°	SL
		Chlorine (Cl ₂)	150°	0°	ML
Bromine (Br ₂)		150°	0°	CF *	
Ammonia (NH ₃)		140°	0°	SL	
Hydrogen Peroxide (H ₂ O ₂)		125°	0°	SL	
Hydrogen Chloride (HCl)		125°	0°	ML	
Hydrogen Bromide (HBr)		125°	0°	SL	
Cane Sugar Liquor		180°	0°	PH	

‡ In accordance with ASME B31.3 "Process Piping", do not use Ductile Iron Body for hydrocarbon or flammable service with inlet pressures greater than 150 psig (10.3 Barg) or temperatures greater than 300 deg F (149 deg C).
 * CF = Consult Factory

	GASES			
	Fluid	Tmax °F	Tmin °F	Trim
Atmospheric Gases	Atmospheric Gases – O ₂ (GOX)	225°	-60°	M7
		350°	-65°	M9
		350°	-325°	TN
	N ₂ (GN ₂), Air, Argon	180°	-60°	P2
		350°	-65°	P8
	CO ₂ (dry)	180°	-40°	P6
CO ₂ (wet)	180°	-40°	P5	
Process Gases	Process Gases – Nat. Gas (Sweet)	180°	-65°	P9
	Nat. Gas (Sour)	180°	-40°	NR
	LPG (propane)	180°	-40°	PH
	Ammonia	120°	-40°	CF *
	Hydrogen	180°	-325°	SN
	Helium	180°	-325°	SN
	Chlorine (dry)	200°	0°	ME
	Hydrogen Chloride (dry)	120°	-40°	SJ
	Hydrogen Bromide (dry)	120°	0°	PE
	Hydrogen Fluoride (dry)	120°	0°	PE
	Hydrogen Sulfide (dry)	140°	0°	NS
	Hydrogen Sulfide (wet)	140°	0°	NS
	Sulfur Dioxide (dry)	120°	0°	PE
STEAM	P1 ≤ 125 psig	350°	—	PG

DAG-14 SUPPLEMENT CHEMICAL RESISTANCE

General Statement: Statements located within this technical bulletin concerning suitability of fluids with TFE materials are general statements, and should not be construed as recommendations. Any statements of suitability are the result of a compilation of various sources of information based on experience, tests, and published technical literature. No guarantee or warranty is in anyway implied for a given particular service or application.

Additional Reference: For an inclusive listing covering a broader range of service application fluids, reference "Handbook of Corrosion Resistant Piping", P.A. Schweitzer, Industrial Press or "Compass Corrosion Guide", 2nd Edition, K.M. Pruett, Compass Publications. This publication will include information based on the following fluid variables:

1. Solution concentration
2. Pressure
3. Temperature

DAG-15

Inverse Sympathetic Ratio (ISR) - effect on regulator performance.

DA1 regulators utilize a top and bottom guide, "flow to open" trim design. The top guide also acts as a "balancing" piston to oppose the forces generated by the inlet pressure acting on the valve plug. A small residual imbalance between the piston and the valve plug helps to reduce seat leakage at high differential pressures across the seat joint. This same imbalance produces an Inverse Sympathetic Ratio, ISR effect, as the delta pressure across the seat (DP) changes. The magnitude of the ISR effect is given in Table DAG-15 for both the pressure reducing and back pressure designs.

TABLE DAG-15		
Body Size		PRV - DA1/DA2/DA4/DAP
in	(DN)	
1/2", 3/4", 1"	(15,20,25)	0.03
1-1/4", 1-1/2"	(32,40)	0.04
2"	(50)	0.02
2-1/2", 3", 4"	(65,80, 100)	0.054

A typical example of the ISR effect is the rise in outlet setpoint as the inlet pressure decays from a pressure vessel or compressed gas bottle. A 1" DA1 connected to a nitrogen bottle at 3000 psig can be adjusted to deliver downstream pressure, P2, of 100 psig. The P2 will rise to 181.48 psig as the compressed gas bottle pressure decays to 284 psig, because of the ISR effect. The calculation follows below:

$$P_{sp} = P_2 + (ISR \times \Delta P_1)$$

$$\Delta P_1 = \text{INITIAL INLET} - \text{FINAL INLET}. (3000 - 284) = 2716$$

$$P_2 = 100$$

$$ISR = 0.03 \text{ (1.0" DA1)}$$

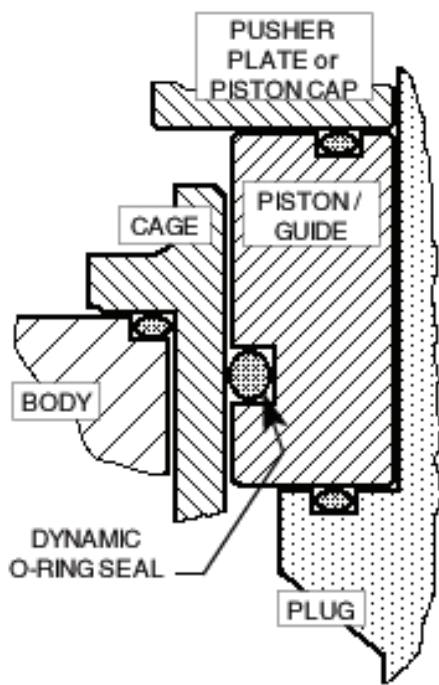
$$P_{sp} = 100 + (0.03 \times 2716)$$

$$P_{sp} = 181.48$$

NOTE: For a rising DP across the seat, the ISR effect would cause a downward shift or offset in the setpoint.

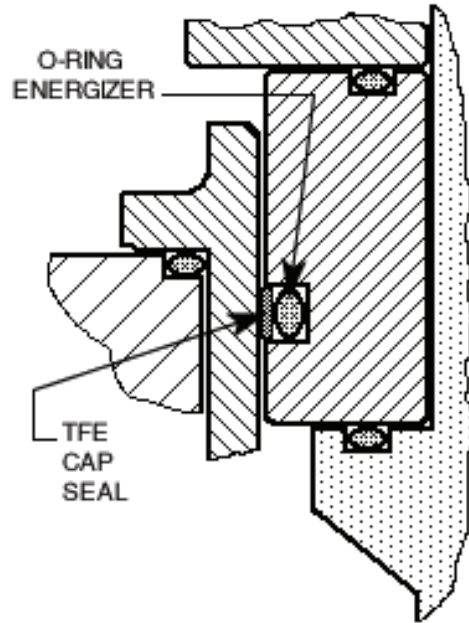
If the ISR effect is unacceptable, then two regulators installed in series will greatly reduce the overall ISR effect. Overall ISR effect = ISR (first stage regulator) x ISR (second stage regulator). For example, in the same application of a N2 bottle source using two 1" DA1 regulators, the setpoint offset - 0.03 x 0.03 x 2716 = 2.44. In summary, the outlet pressure will rise from 100 psig to 102.44 psig as the inlet pressure decays from 3000 psig to 200 psig.

In a similar manner the ISR effect will produce an offset between the loading pressure, PL, and the pressure setpoint of a dome loaded regulator. For example, a 4" DA4 with an inlet pressure, P1 of 300 psig and an outlet pressure, P2 of 50 psig would require a loading pressure, PL = (P1 - P2) x ISR + P2 = (300-50) x 0.054 + 50 = 63.5 psig. In addition, if the DP changes, then a setpoint offset would be observed with a constant loading pressure.



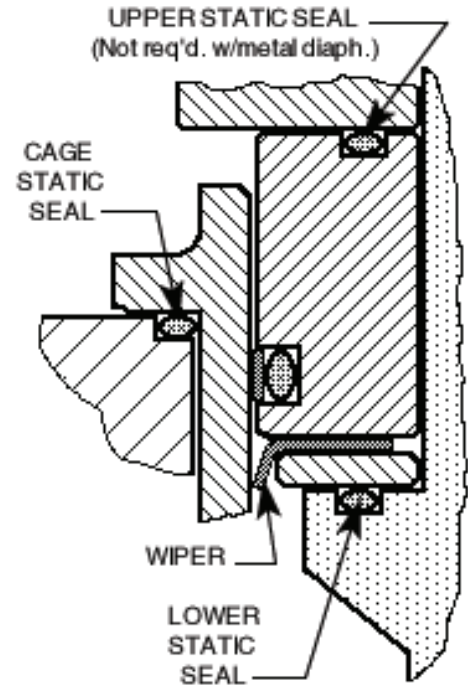
O-RING DYNAMIC SEAL

PRV, BPV



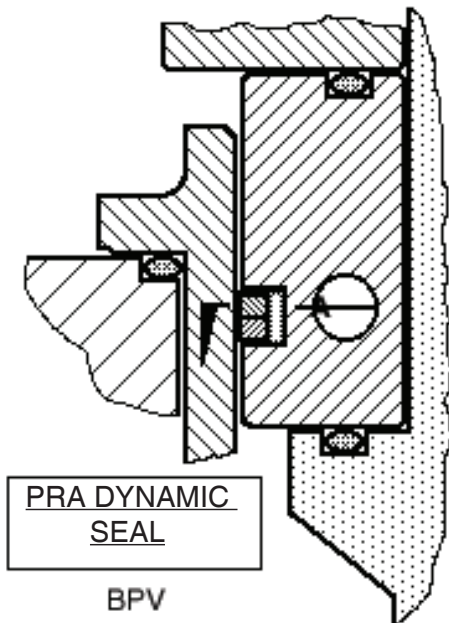
TFE CAP DYNAMIC SEAL

BPV



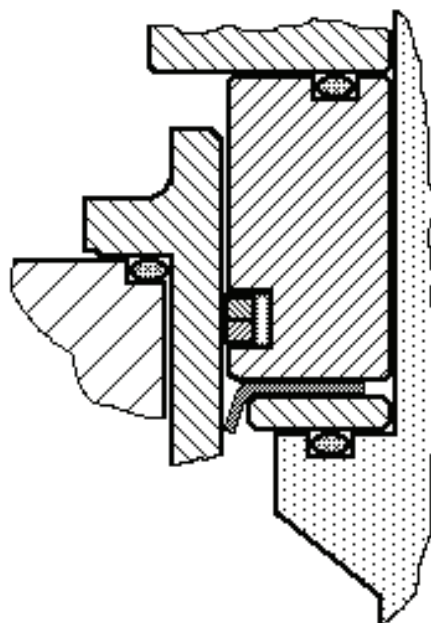
TFE CAP DYNAMIC SEAL + WIPER

PRV



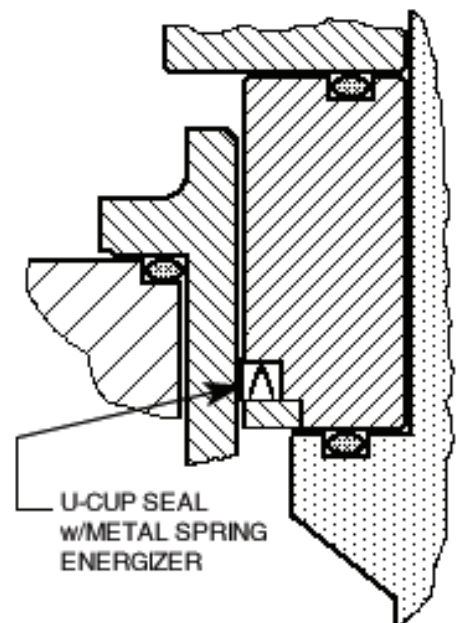
PRA DYNAMIC SEAL

BPV



PRA DYNAMIC SEAL + WIPER

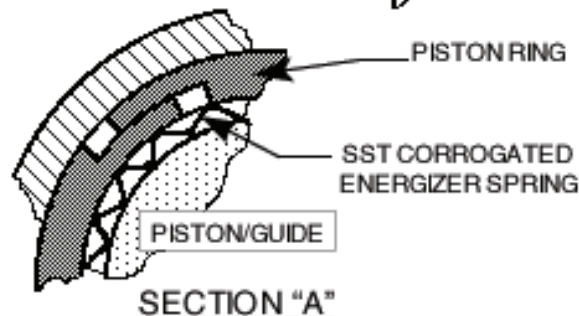
PRV



U-CUP SEAL w/METAL SPRING ENERGIZER

U-CUP DYNAMIC SEAL

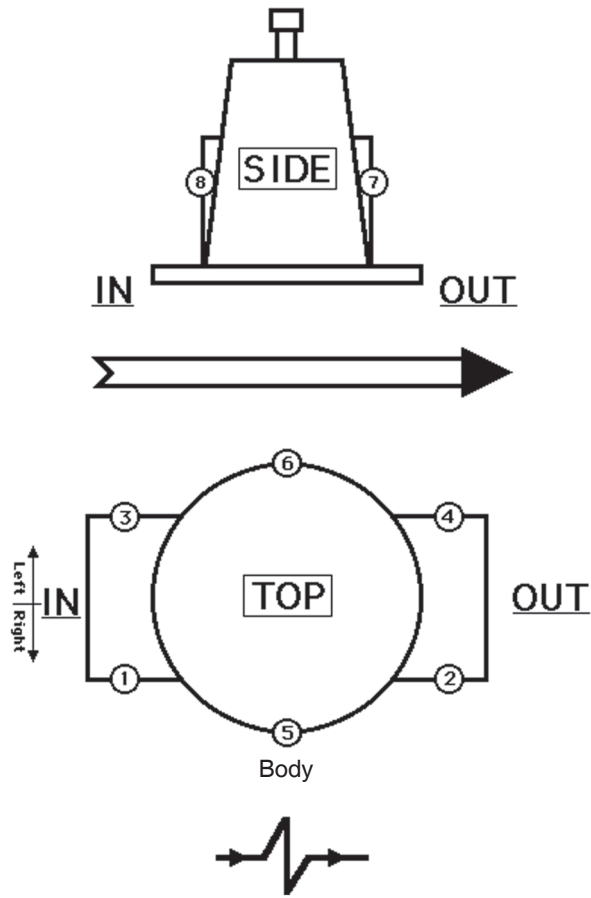
PRV, BPV



SECTION "A"

FIGURE DAG-F1
DYNAMIC & STATIC SEALS

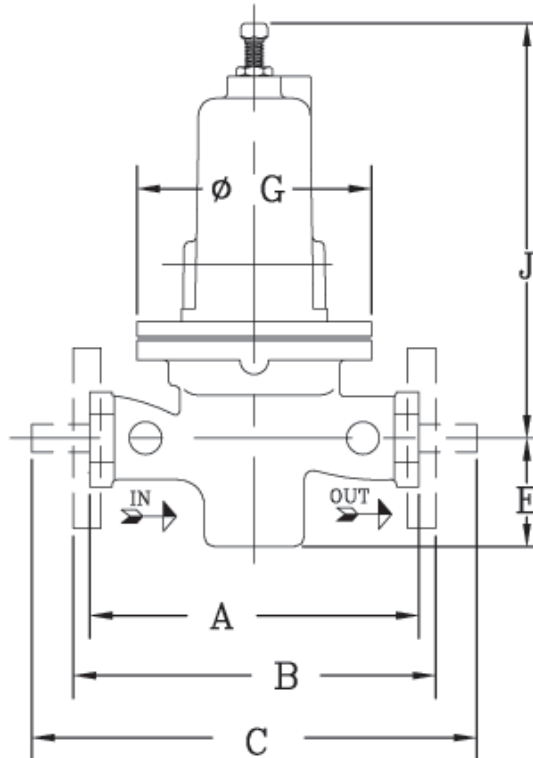
FIGURE DAG-F2
Location of BODY / SPRING CHAMBER TAPS



Location	Description	Opt. No.	NPT - Size	Body Mat'l.
1 & 2	Inlet & Outlet – Right	STD	1/4"	DI, CS & SST
1, 2 & 3	Inlet & Outlet – Right	STD	1/4"	BRZ
5	External Sensing – Right	STD	1/4"	DI, BRZ, CS & SST
1, 2, 3 & 4	Inlet & Outlet – Right Inlet & Outlet – Left	85	1/4"	DI, BRZ, CS & SST
5 & 6	Double External Sensing	85	1/4"	DI, BRZ, CS & SST

Location	Description	Opt. No.	NPT - Size	Sp. Ch. Mat'l.
7	Spring Ch. – Outlet Side	25	1/4"	DI, BRZ, CS & SST

DIMENSION and WEIGHTS



ENGLISH UNITS (in) (lbs)

METRIC UNITS (mm) (kg)

Dimen.	End Conn.	Body Mat'l.	Body Size					
			1/2", 3/4" & 1"	1-1/4" & 1-1/2"	2"	2-1/2"	3"	4"
A	NPT	DI, BRZ	6.00	9.88	9.88	X		
		CS, SST, HC	8.25	9.88	9.75			
B	125# FF	DI	X			10.88	11.75	13.88
	250# RF	DI				11.50	12.50	14.50
	150# FF	BRZ **	9.63	11.50 √	11.50	10.88	11.75	13.88
	300# FF	BRZ **	9.63	11.50 √	11.50	11.50	12.15	14.50
	150# RF	CS, SST	10.75	12.38 √	10.00	10.88	11.75	13.88
		HC *			13.75	—	—	—
	150# RF ‡	CS, SST	14.00	14.00 √	14.00	—	—	—
	300# RF	CS, SST	10.75	12.38 √	10.50	11.50	12.50	14.50
		HC *			14.25	—	—	—
	300# RF ‡	CS, SST	14.00	14.00 √	14.00	—	—	—
600# RF	CS, SST	10.75	12.38 √	11.25	12.25	13.25	15.50	
600# RF ‡	CS, SST	14.00	14.00	14.00	—	—	—	
C	Opt-32 EXT NIPS	CS, SST	14.00	15.75	15.75	X		
	OPT-41	SST	11.00	15.25	15.50			
E	All	All	2.84	3.69	4.00	5.25	5.75	7.00
G	All	All	6.00	7.00	8.00	10.00	11.00	11.13
J	All	All	12.38	14.25	16.00	26.50	27.25	27.75
J w/ Opt-80	All	All	17.00	17.50	19.00	—	—	—
WEIGHT	w/ Flanges	All	28	43	52	—	—	—
	w/Flanges	All	35	55	68	100	175	190

End Conn.	Body Size					
	DN15, DN20 & DN25	DN32 & DN40	DN50	DN65	DN80	DN100
NPT	152	251	251	X		
	209	251	248			
125# FF	X			276	298	352
250# RF				292	318	368
150# FF	246	292 √	292	276	298	352
300# FF	246	292 √	292	292	309	368
150# RF	273	314 √	254	276	298	352
			349	—	—	—
150# RF ‡	356	356 √	356	—	—	—
300# RF	273	314 √	267	292	318	368
			362	—	—	—
300# RF ‡	356	356 √	356	—	—	—
600# RF	273	314 √	286	311	336	394
600# RF ‡	356	356	356	—	—	—
Opt-32 EXT NIPS	356	400	400	X		
OPT-41	279	387	394			
All	72	94	102	133	146	178
All	152	178	203	254	279	283
All	314	362	406	673	692	705
All	432	444	483	—	—	—
w/ Flanges	13	20	24	—	—	—
w/Flanges	16	25	31	45	79	86

* HC body material available in sizes 1", 1-1/2", & 2" ONLY.
 ** Flanged BRZ bodies available in sizes 1", 1-1/2", 2", 2-1/2", 3", & 4" ONLY.
 √ Flange Connections not available for 1-1/4" size.
 ‡ Opt-34: Special 14" F to F Flange dimensions, CS and SST body material only.
 Consult Factory for dimensions of ISO DIN Flanged units. (PN16, PN25, PN40)

The contents of this publication are presented for informational purposes only, and while every effort has been made to ensure their accuracy, they are not to be construed as warranties or guarantees, express or implied, regarding the products or services described herein or their use or applicability. We reserve the right to modify or improve the designs or specifications of such product at any time without notice. Cashco, Inc. does not assume responsibility for the selection, use or maintenance of any product. Responsibility for proper selection, use and maintenance of any Cashco, Inc. product remains solely with the purchaser.

MODEL DA1 PRODUCT CODER 02/07/20

An "X" in POS 12 followed by a 5-digit control number overrides remaining selections.

D1 POS 3 — POS 5 POS 6 & 7 **7** — POS 10 POS 11 POS 12 POS 13 POS 14 POS 15 POS 16 **0E**

POSITION 3 - SIZE		
Size	CODE	
in (DN)		
1/2"	(15)	4
3/4"	(20)	5
1"	(25)	6
1-1/4"	(32)	7
1-1/2"	(40)	8
2"	(50)	9
2-1/2"	(65)	A
3"	(80)	B
4"	(100)	C

* Not available with metal diaphragms.

POSITION 5 - BODY & SPRING CHAMBER MATERIALS			
Materials	CODE	Materials	CODE
DI/DI	1	SST/DI	7
BRZ/DI	2	SST/CS *	9
BRZ/BRZ *** ‡‡	B	SST/SST * / ****	A
BRZ/CS *	J	Dup SST/CS * / *****	F
BRZ/SST *	D	Dup SST/SST * / *****	L
CS/DI	4	Dup SST/Dup SST *****	M
CS/CS *	5	HC/CS ‡‡	G
LCC/LCC	6	HC/SST ‡‡	H
LCC/SST *	8		

* For Opt-80 Select CS or SST Spring Chamber Material except in Canada, use SST. See Position 11.
 *** Select for Opt-5 **** Select for Opt-36
 ***** Select for Sea water ‡‡ Sizes 1/2" - 2" Except No 1-1/4"

POSITION 6 & 7 - DIAPHRAGM, SEAL & SEAT MATERIALS					
Trim	Seat (#)	Diaphragm	Static Seal	Dynamic Seal	CODE
17-4PH SST "P"	PA	BC	NBR	O-ring ^	P1
	PA / (BC)	BC	NBR	SST/TFE u-cup ^	P2 / (PU)
	CTFE	BC	NBR	SST/TFE u-cup ^	P3
	PA	EPR	EPR	O-ring ^	P4
	PA	NBR	NBR	O-ring	P5
	PA / (NBR)	NBR	NBR	SST/TFE u-cup	P6 / (PW)
	PA	FK	FK	SST/TFE u-cup ^	P7 ‡
	GF-TFE	FK	FK	SST/TFE u-cup	P8 ‡
	V-TFE	FK	FK	SST/TFE u-cup	P9 ‡
	PA	FKM	FKM	O-ring	PA
	PA	FKM	FKM	SST/TFE u-cup ^	PB
	GF-TFE	FKM	FKM	O-ring	PC
	GF-TFE	FKM	FKM	SST/TFE u-cup	PD
	V-TFE	FKM + TFE	SST/TFE u-cup √	SST/TFE u-cup	PE
	GF-TFE	3-ply	RTFE	SST/TFE u-cup \$	PF
	GF-TFE	3-ply	RTFE	PRA + W \$	PG
	PA / (NBR)	NBR	NBR	TFE+NBR GFTFE CW	PH / (PY)
	PA	EPR	EPR	TFE+EPR GFTFE CW	PJ
	PA	FK	FK	TFE+FK GFTFE CW	PK
	GF-TFE	FKM	FKM	TFE+FKM GFTFE CW	PL
FKM	FKM	FKM	SST/TFE u-cup	PZ	
Hastelloy "H"	PA	FK	FK	Hast-C/TFE u-cup	H7
	V-TFE	FK	FK	Hast-C/TFE u-cup	H9
	GF-TFE	FKM	FKM	Hast-C/TFE u-cup	HD
	PA	FK	FK	SST/TFE u-cup ‡‡ ^	M7 ‡
Monel "M"	V-TFE	FK	FK	SST/TFE u-cup ^	M9 ‡
	V-TFE	FKM-TFE	SST/TFE u-cup √	SST/TFE u-cup	ME
	PA / (NBR)	NBR	NBR	TFE+NBR GFTFE CW	MH / (MY)
	PA	EPR	EPR	TFE+EPR GFTFE CW	MJ
	PA	FK	FK	TFE+FK GFTFE CW	MK
	GF-TFE	FKM	FKM	TFE+FKM GFTFE CW	ML
	V-TFE	FKM	FKM	O-ring	MQ
	NBR	NBR	NBR	O-ring	MW
	FKM	FKM	FKM	SST/TFE u-cup	MZ
	PA	FK	FK	SST/TFE u-cup	S7 ‡
	V-TFE	FK	FK	SST/TFE u-cup	S9 ‡
	PA	BE-CU *	SST/TFE u-cup	SST/TFE u-cup	SM
V-TFE	BE-CU *	SST/TFE u-cup	SST/TFE u-cup **	SN	
PA / (NBR)	NBR	NBR	TFE+NBR GFTFE CW	SH / (SY)	
PA	EPR	EPR	TFE+EPR GFTFE CW	SJ	
PA	FK	FK	TFE+FK GFTFE CW	SK	
GF-TFE	FKM	FKM	TFE+FKM GFTFE CW	SL	
316L SST "S" NACE OPT-40	PA	BC	V-TFE	ELG/TFE u-cup ^	NP ‡
	PA	NBR	NBR	ELG/TFE u-cup	NR
	PA	FKM	FKM	ELG/TFE u-cup	NS
	FKM	FKM	FKM	ELG/TFE u-cup	NF
	CTFE	NBR	V-TFE	ELG/TFE u-cup	NT ‡
	V-TFE	BC	VTFE	ELG/TFE u-cup ^	NV ‡
	PA	FK	FK	SST/TFE u-cup ‡‡ ^	T7 ‡
	V-TFE	FK	FK	SST/TFE u-cup ^	T9 ‡
	PA	BE-CU *	SST/TFE u-cup	SST/TFE u-cup	TM
	V-TFE	BE-CU *	SST/TFE u-cup	SST/TFE u-cup **	TN
	PA	FK	FK	TFE+FK GFTFE CW	TK

‡‡ For GOX service, PA seats allowed in BRZ Bodies w/ trim materials "M" or "T" only.
 ^ Only trims that may be used with Opt. -80.
 * 2-1/2" - 4" sizes are not available with metal diaphragm. ** Use for Opt-5 or -36.
 ‡ For Low Ambient Temperatures (See DAG-5 & -14 for Min. Temperatures).
 √ Sizes 2-1/2"-4" use V-TFE static seal. \$ For Steam Applications Max Press < 125 psig.
 (#) BC and NBR Seat material not available for 2-1/2" size.

POSITION 10 - END CONNECTIONS / ASME								
Size	Material	Option	End Conn	CODE	End Conn	CODE	End Conn	CODE
1/2" - 2"	ALL	-	NPT	1	-	-	-	-
2-1/2" - 4"	DI	-	125#FF	2	250#RF	3	-	-
1", 1-1/2" - 4"	BRZ	-	150#FF	6	300#FF	7	-	-
1/2" - 4"	CS,SST	-30 *	150#RF	4	300#RF	5	600# RF	8
1" - 2"	HC	-30 *						
1/2" - 2"	ALL	-31	BSPT	P	-	-	-	-
1/2" - 2"	CS, SST	-32	Extended Nipples		E			
1/2" - 2" (14" F to F)	CS, SST	-34 *	150#RF	V	300#RF	W	600#RF	Y
1/2" - 1", 1-1/2" - 2"	SST	-41	Non-High Purity Tube Ends		T			

END CONNECTIONS FOR ISO DIN FLANGES								
Size	Material	Option	End Conn	CODE	End Conn	CODE		
DN15-25, 40, 50	BRZ	-	PN40 FF - will mate with PN16, 25 and 40		J			
DN65-100			PN16 FF	K	PN25 FF	L	PN40 FF	M
DN15-25, 40, 50	HC	-30	PN40 RF - will mate with PN16, 25 and 40			D		
DN15-100	CS, SST	-30	PN16 RF	A	PN25 RF	C	PN40 RF	G

* Flanges Not Available for 1-1/4" (DN32) size.
 ** Not available in HC material

POSITION 11 - RANGE SPRINGS							
Body Size	Pressure Range		CODE	Body Size	Pressure Range		CODE
	psig	barg			psig	barg	
1/2", 3/4" & 1" (DN15, 20 & 25)	1-5 ^	.07-34	1	2" (DN50)	1-5 ^	.07-34	1
	1-10 ^	.07-68	S		1-10 ^	.07-68	S
	5-20	.34-1.3	A		5-15	.34-1.0	M
	10-35	.68-2.4	B		10-30	.68-2.0	N
	20-80	1.3-5.5	C		15-50	1.0-3.4	P
	30-150	2.0-10.3	D		30-90	2.0-6.2	Q
	70-200	4.8-13.7	E		50-150	3.4-10.3	R
	100-300	6.8-20.6	F		80-225 *	5.5-15.5	Z
200-450 *	13.7-31.0	G	80-275 *	5.5-18.9	4		
1-1/4" & 1-1/2" (DN32 & 40)	1-5 ^	.07-34	1	2-1/2",	1-10	.07-68	S
	1-10 ^	.07-68	S	3"	5-20	.34-1.3	A
	5-20	.34-1.3	A	& 4"	10-40	.68-2.7	T
	15-45	1.0-3.1	H	(DN65,	10-70	.68-4.8	J
	10-70	.68-4.8	J	80	40-125	2.7-8.6	K
	40-175	2.7-12.0	2	& 100)	50-225	3.4-15.5	3
	70-200	4.8-13.7	E				
	100-350 *	6.8-24.1	Y				
100-400 *	6.8-27.5	6					

* Opt-80 - High Outlet Pressure requires CS or SST Sp.Ch. only. See Position 5.
 ^ Comp diaphragm only.

*** For information on ATEX see pages 17 & 18 on the IOM.**

POSITION 12 - SENSING FLOW DIRECTION	
Option	Flow To Open CODE
Internal	1
External	2
Large Internal	4
For Special Construction Contact Cashco for Special Code	X

POSITION 14 - SPRING CHAMBER OPTIONS	
Option	CODE
No Option	- 0
1/4" (DN8) NPT Vent Tap.	-25 E
Vent Screen (Includes Opt.-25)	-25S H

POSITION 15 - BODY OPTIONS	
Option	CODE
No Option	- 0
Second "Set" of 1/4" (DN8) FNPT Pressure Taps & Plugs	-85 T

POSITION 16 - CERTIFICATE OPTIONS	
Option	CODE
No Option	- 0
NACE CONST: CS/CS, LCC/LCC, LCC/SST, SST/CS or SST/ SST All Sizes Except 1-1/4" per MR0175	-40 J
SPECIAL CLEANING: Per Spec #S-1134. W/ properly selected mat'ls. Suitable for Oxygen Service. BRZ or SST body material.	-55 M
SPECIAL CLEANING: Per Cashco Spec #S-1542.	-56 N
SPECIAL CLEANING: Per Cashco Spec #S-1589 Cl2 Service.	-57 P

POSITION 13 - FEATURE OPTIONS		
Option	CODE	
No Option	-	0
TFE Diaphragm Cover.	-9	2
Cryogenic Construction (Select Cleaning Spec. Opt.-55 or -56 from Position 16.	-5 or -36	C

Cashco, Inc.
P.O. Box 6
Ellsworth, KS 67439-0006
PH (785) 472-4461
Fax. # (785) 472-3539
www.cashco.com
email: sales@cashco.com
Printed in U.S.A. DA1-TB

Cashco GmbH
Handwerkerstrasse 15
15366 Hoppegarten, Germany
PH +49 3342 30968 0
Fax. No. +49 3342 30968 29
www.cashco.com
email: germany@cashco.com

Cashco do Brasil, Ltda.
Al.Venus, 340
Indaiatuba - Sao Paulo, Brazil
PH +55 11 99677 7177
Fax. No.
www.cashco.com
email: brazil@cashco.com