



ISO Registered Company



Model 7C00 Detonation Flame Arrestor

OBJECTIVE

The Model 7C00 unstable/overdriven detonation flame arrestor type II is a device that can be fitted to the opening of an enclosure or to the connecting pipe work of a system of enclosures. Its primary function is to allow the flow of gases or vapor of flammable liquids through the enclosure, but prevent the transmission of a flame. The element inside the housing provides an extinguishing barrier to the ignited vapor mixture by absorbing heat from the flame. The Model 7C00 is used as an independent safety system to ensure explosion protection.

TECHNIQUE

7C00 flame arrestors are designed on the principle of "quenching gap". The crimped SST metal element allows vapor to pass through in order to allow a vessel to breathe, yet prevents the propagation of a flame from the exposed side to the protected side.

CONSTRUCTION

Housing Material: Carbon Steel, Stainless Steel.

Trim Material: Stainless Steel (1.4571) element. Standard element is suitable for explosion group D flammable gases and vapors. Elements for other gas groups are available upon request.

SPECIAL FEATURES

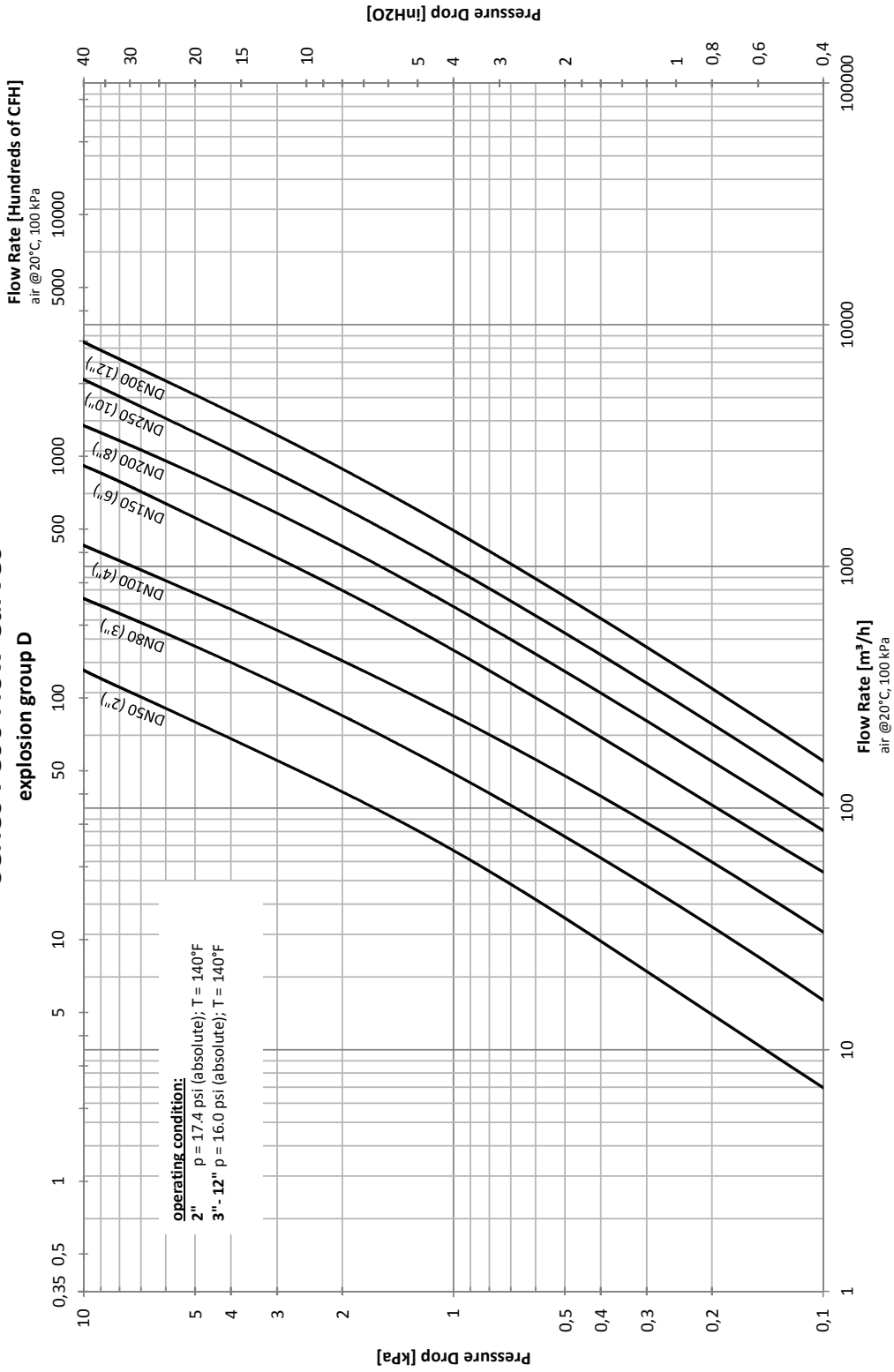
The Model 7C00 is designed, manufactured, and tested according to Title 33, Code of Federal Regulations (CFR), part 154, Appendix A for USCG approved application.

The element design is bidirectional and available for horizontal or vertical installations.

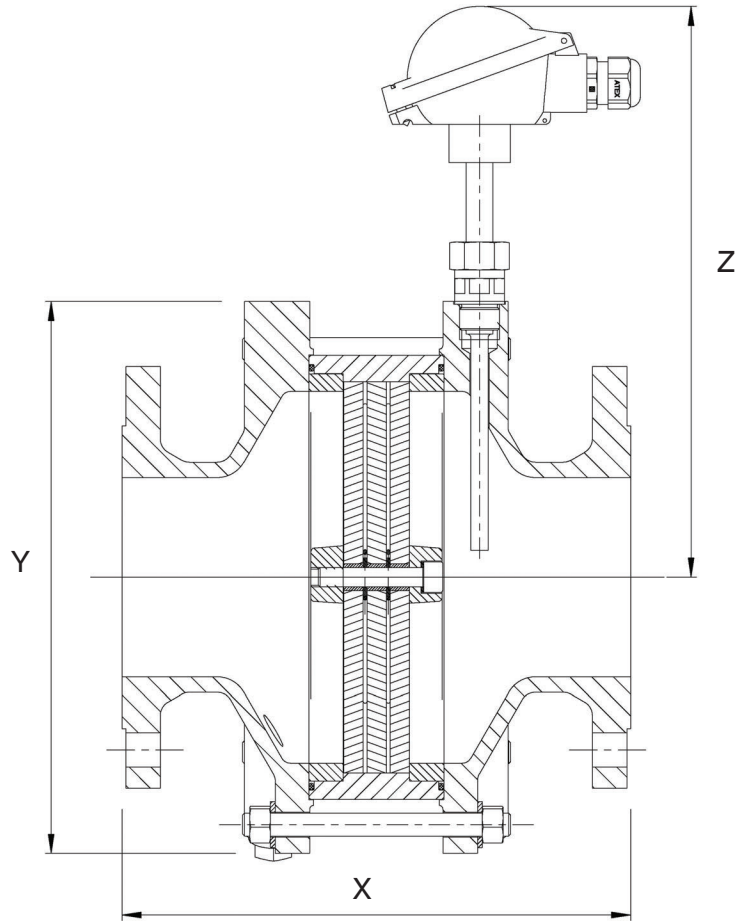
Easy Maintenance: The Model 7C00 detonation flame arrestor is a passive device with no moving parts. The flame cell element can be easily removed for inspection and cleaning in appropriate solvent solution.

Sizes: Units are available in 2", 3", 4", 6", 8", 10", and 12" line sizes; standard flange connections according ASME B16.5 150#RF. Other line sizes are available upon request.

Series 7C00 Flow Curves



DIMENSIONS AND WEIGHTS



Units - in				
SIZE	X		Ø Y	Z
	Explosion Group			
	D	C		
2"	10.0	-	6.9	9.5
3"	11.2	-	9.4	10.8
4"	11.9	-	11.4	11.8
6"	15.2	-	17.5	15.0
8"	16.5	-	21.4	16.9
10"	19.0	-	26.1	19.3
12"	20.5	-	30.1	21.2

Units - lbs		
SIZE	Weight	
	Explosion Group	
	D	C
2"	37.5	-
3"	70	-
4"	95	-
6"	238	-
8"	375	-
10"	760	-
12"	1090	-

The contents of this publication are presented for informational purposes only, and while every effort has been made to ensure their accuracy, they are not to be construed as warranties or guarantees, express or implied, regarding the products or services described herein or their use or applicability. We reserve the right to modify or improve the designs or specifications of such product at any time without notice. Cashco, Inc. does not assume responsibility for the selection, use or maintenance of any product. Responsibility for proper selection, use and maintenance of any Cashco, Inc. product remains solely with the purchaser.

7C00 Series PRODUCT CODER

05/28/19

7C

POS
3 & 4

POS
5

B

POS
7 & 8

POS
9

POS
10 & 11

POS
12

POS
13

POS
14 & 15

POS
16

0

POS
18

POSITION 3 & 4 SIZE / EXPLOSION GROUP		
Size	D	C
	CODE	CODE
2"	4F	-
3"	4Y	-
4"	56	-
6"	5E	-
8"	5N	-
10"	5X	-
12"	64	-

POSITION 5 OPERATING CONDITION				
Explosion Group	Size	p _{max} , absolute in psi	T _{max} in °F	CODE
D	2"	17.4	≤ 140	2
	3" - 12"	16	≤ 140	1

Consult factory for additional operating conditions.

POSITION 7 & 8 CASING / ELEMENT / RIM MATERIALS	
Material	CODE
Stainless Steel (1.4571)	0D

POSITION 9 GASKET MATERIALS	
Material	CODE
NBR	1
FKM	2
EPDM	3
FKM/FEP seamless covered	4

POSITION 10 & 11 HOUSING MATERIALS / CONNECTION	
	ASME(150#RF)
	CODE
Carbon Steel (1.0619)	39
Stainless Steel (1.4581)	99

POSITION 12 PORTS	
Number / Location	CODE
Two ports G1/2" on each side Std. for all explosion groups and sizes	4

POSITION 13 MOUNTING KIT MAT'L FOR HOUSING	
Material	CODE
Standard A2 Stainless Steel	2
A4 Stainless Steel	3

POSITION 14 & 15 TEMPERATURE SENSOR (PT100)		
Quantity	Ex ib 3-wire	Ex ib 3-wire plus transmitter
	CODE	
None	00	00
One	01	02

POSITION 16 NAME PLATE	
Material / Language	CODE
SST / English	2

POSITION 18 PAINT	
Color	CODE
No Paint (SST)	0
Red Hempadur Offshore	9

Cashco, Inc.
P.O. Box 6
Ellsworth, KS 67439-0006
PH (785) 472-4461
Fax. # (785) 472-3539
www.cashco.com
email: sales@cashco.com
Printed in U.S.A. 7A00-TB

Cashco GmbH
Handwerkerstrasse 15
15366 Hoppegarten, Germany
PH +49 3342 30968 0
Fax. No. +49 3342 30968 29
www.cashco.com
email: germany@cashco.com

Cashco do Brasil, Ltda.
Al.Venus, 340
Indaiatuba - Sao Paulo, Brazil
PH +55 11 99677 7177
Fax. No.
www.cashco.com
email: brazil@cashco.com