



Model 6E00

End-of-Line Deflagration Flame Arrestor

OBJECTIVE

The Model 6E00 end-of-line deflagration flame arrestor is a device that can be fitted directly on a vessel, tank vent nozzle, or on the end of a vent line. Its primary function is to allow the flow of gases or vapor of flammable liquids through the enclosure, but prevent the transmission of a flame from the outside. The element inside the housing provides an extinguishing barrier to the ignited vapor mixture by absorbing heat from the flame. The Model 6E00 is used as an independent safety system to ensure explosion protection.

TECHNIQUE

6E00 flame arrestors are designed on the principle of "quenching gap". The crimped SST metal element allows vapor to pass through in order to allow a vessel to breathe, yet prevents the propagation of a flame from the exposed side to the protected side.

CONSTRUCTION

Housing Material: Carbon Steel, Stainless Steel.

Trim Material: Stainless Steel (1.4571) element.

SPECIAL FEATURES

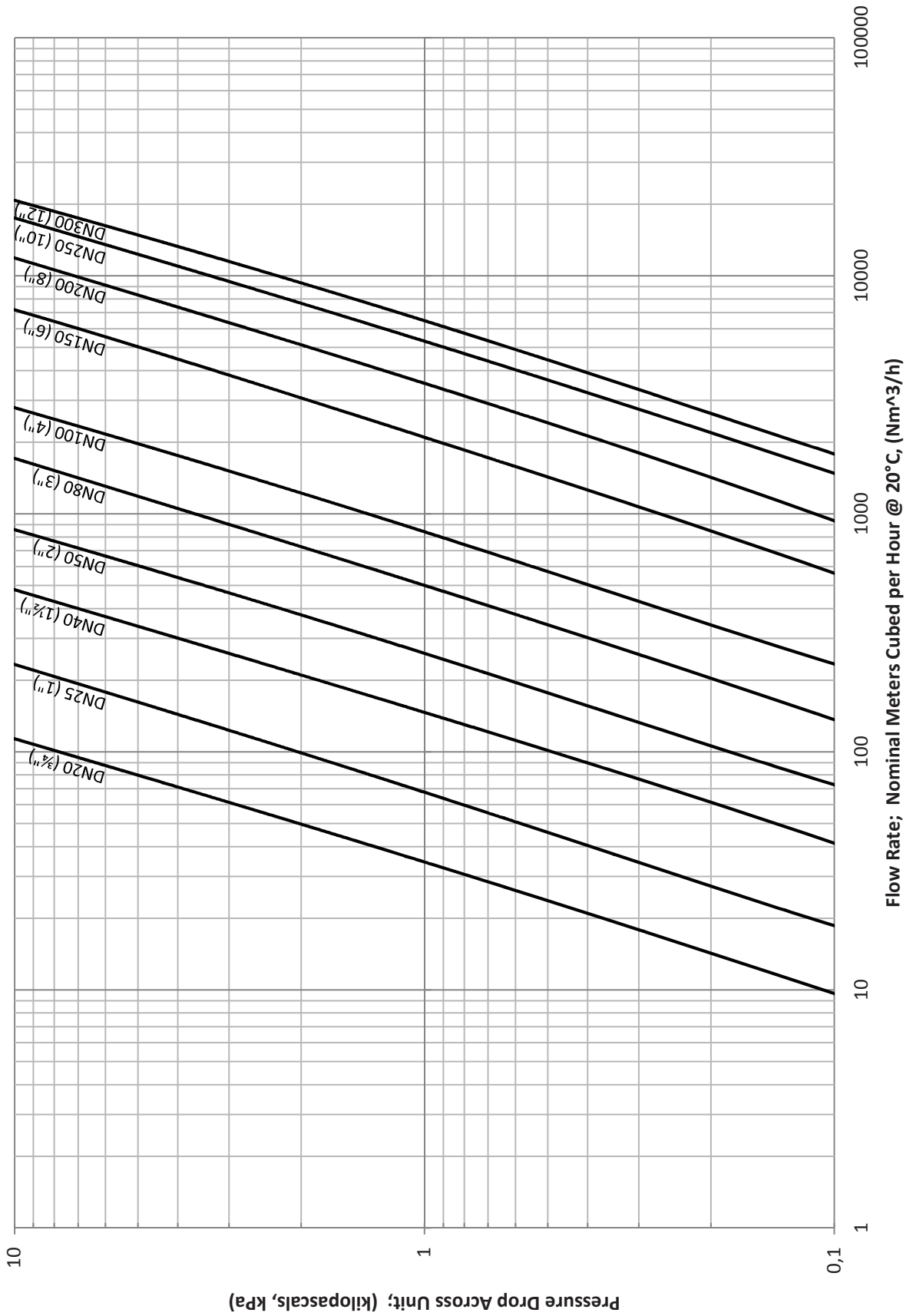
The Model 6E00 is designed, manufactured, and tested according to Directive 2014/34/EU (ATEX114) and ISO 16852.

Easy Maintenance: The Model 6E00 deflagration flame arrestor is a passive device with no moving parts. The flame cell element can be easily removed for inspection and cleaning in appropriate solvent solution.

Sizes: Units are available in DN20, 25, 32, 40, 50, 80, 100, 150, 200, 250, 300 (3/4", 1", 1-1/4", 1-1/2", 2", 3", 4", 6", 8", 10", 12") line sizes; thread connections according to ISO7/1, BS21 or ASME B1.20.1. Standard for flange connections to EN1092-1 PN10, ASME B16.5 150#RF or JIS B 2220 10K.

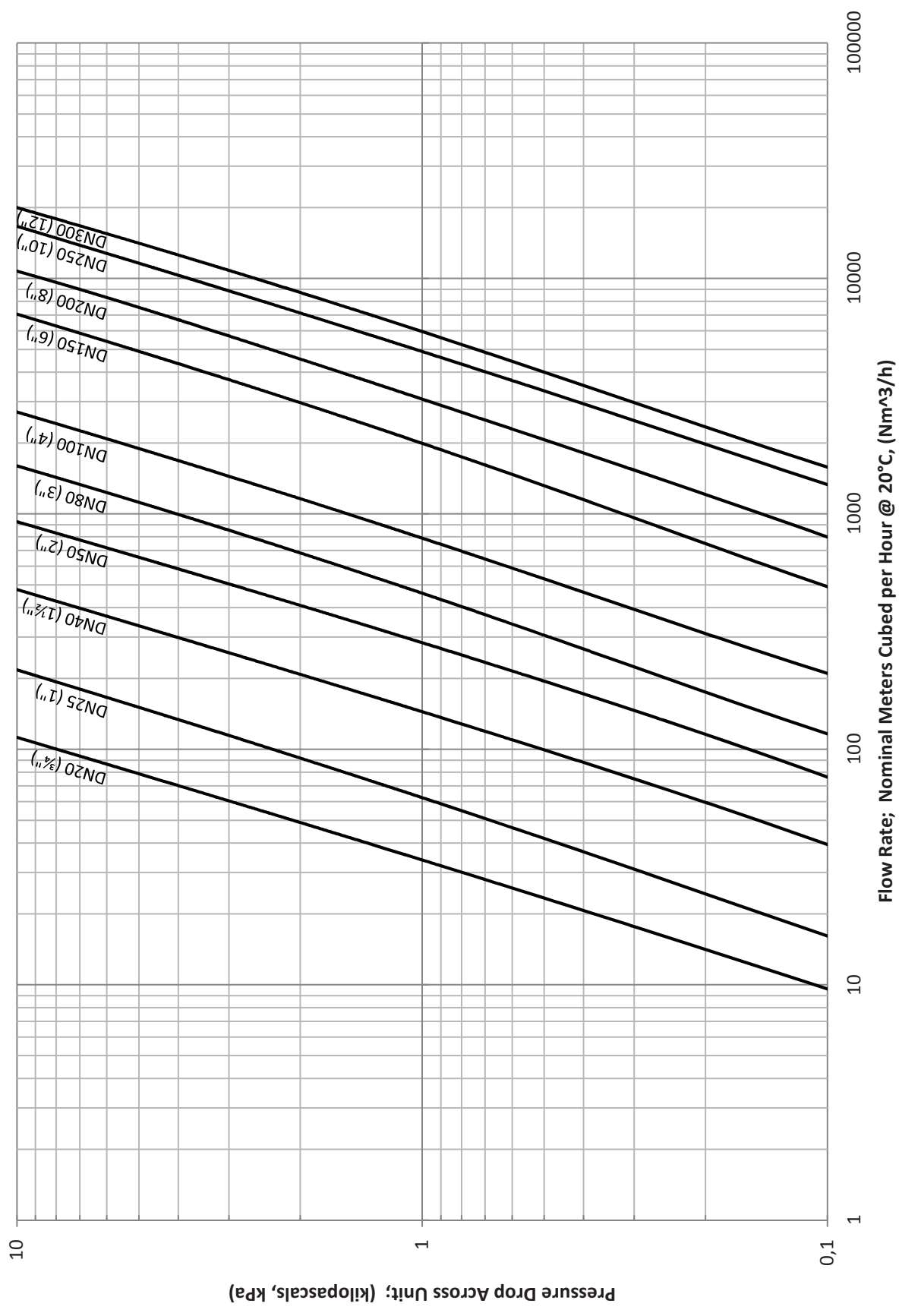
Series 6E00 Flow Curves

IIB3 and 60°C (140°F)



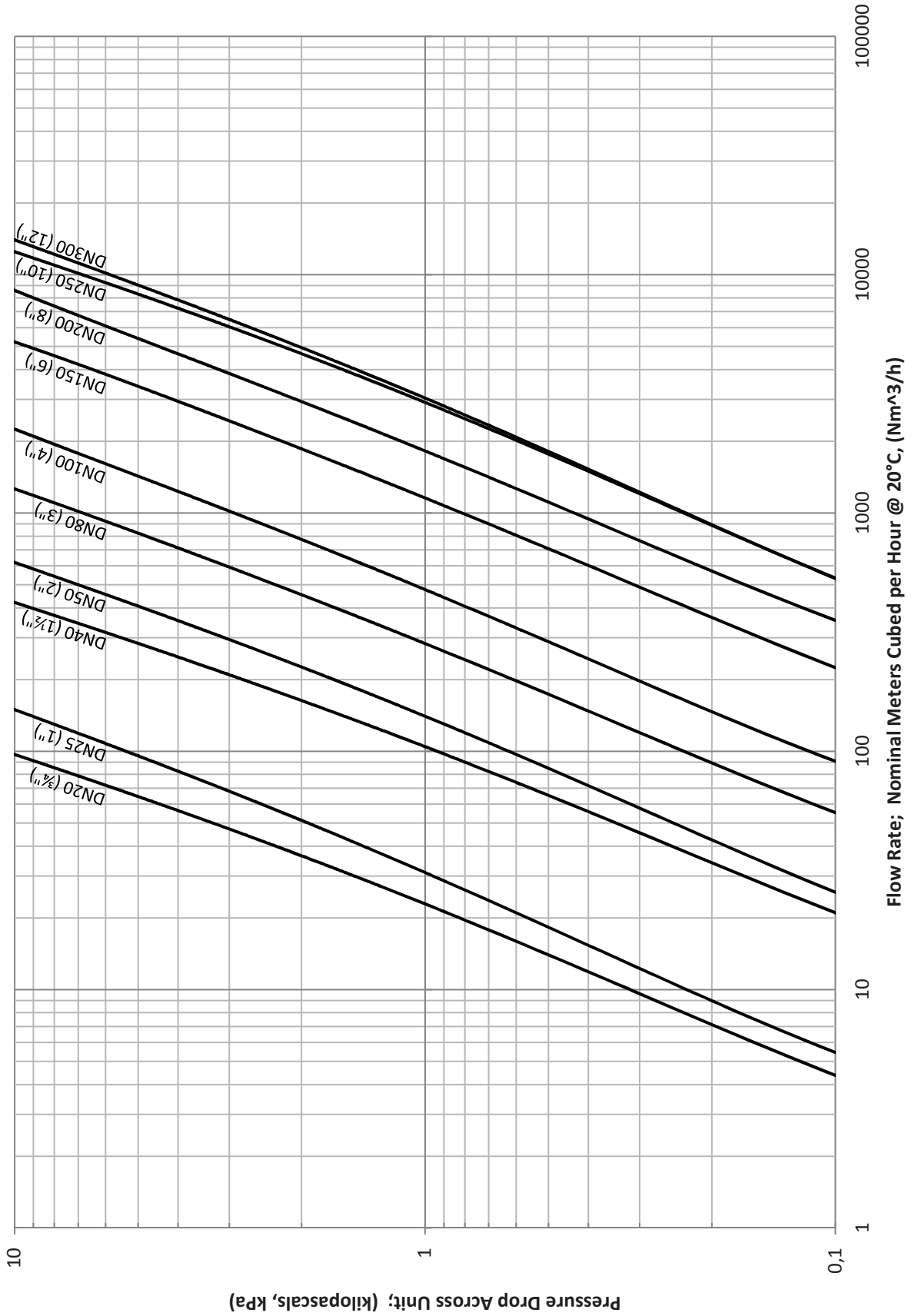
Series 6E00 Flow Curves

IIB3 and 220°C (428°F)

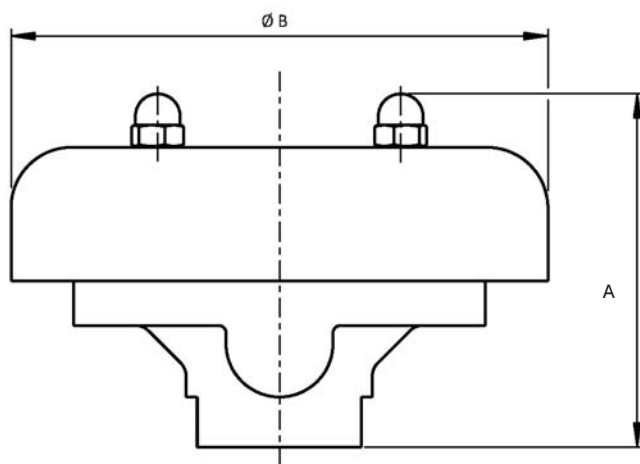


Series 6E00 Flow Curves

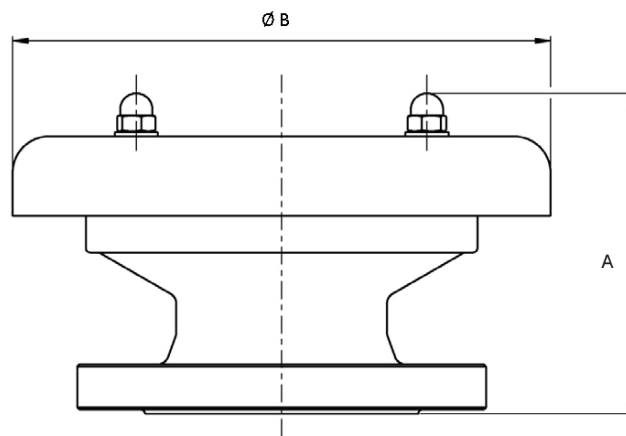
IIC and 60°C (140°F)



DIMENSIONS & WEIGHTS



**THREADED
CONNECTION**



**FLANGED
CONNECTION**

Metric Units			
SIZE	A	Ø B	Weight
Rp, BSP, NPTF	(mm)	(mm)	(kg)
3/4"	99	150	2.3
1"	99	150	2.3
1-1/4"	99	200	3.0
1-1/2"	102	250	4.8
2"	102	250	4.6

English Units			
SIZE	A	Ø B	Weight
Rp, BSP, NPTF	(in)	(in)	(lbs)
3/4"	3.9	5.9	5.1
1"	3.9	5.9	5.1
1-1/4"	3.9	7.8	6.6
1-1/2"	4.0	9.8	10.6
2"	4.0	9.8	10.1

Metric Units			
DIN, ASME (*)	A (mm) DIN/ASME	Ø B (mm)	Weight (kg) DIN/ASME
DN25	121	150	3.1
DN50	135	250	7.2
DN80	150	250	8.7
DN100	170	350	12.1/13.8
DN150	230	500	33.3/34.4
DN200	240	600	46.3/49.0
DN250	312/346	700	62.0/71.0
DN300	305/350	700	63.0/83.0

(*) DIN (PN10) Flange, ASME 150RF Flange

English Units			
DIN, ASME (*)	A (in) DIN/ASME	Ø B (in)	Weight (lbs) DIN/ASME
1"	4.7	5.9	6.8
2"	5.3	9.8	15.9
3"	5.9	9.8	19.18
4"	6.7	13.8	26.7/30.4
6"	9.0	19.7	73.4/75.8
8"	9.4	23.6	102.1/108.0
10"	12.3/13.6	27.5	136.7/156.5
12"	12.0/13.8	27.5	138.9/183.0

(*) DIN (PN10) Flange, ASME 150RF Flange

The contents of this publication are presented for informational purposes only, and while every effort has been made to ensure their accuracy, they are not to be construed as warranties or guarantees, express or implied, regarding the products or services described herein or their use or applicability. We reserve the right to modify or improve the designs or specifications of such product at any time without notice. Cashco, Inc. does not assume responsibility for the selection, use or maintenance of any product. Responsibility for proper selection, use and maintenance of any Cashco, Inc. product remains solely with the purchaser.

6E00 Series PRODUCT CODER

01/26/17



POSITION 3 & 4 - SIZE/ EXPLOSION GROUP		
Size metric (in)	IIB3	IIC
	CODE	
DN20 (3/4")	ES	MZ
DN25 (1")	ET	N0
DN32 (1-1/4")	F0	N7
DN40 (1-1/2")	F8	NF
DN50 (2")	F9	NG
DN80 (3")	FS	NZ
DN100 (4")	G0	P7
DN150 (6")	G8	PF
DN200 (8")	GG	PP
DN250 (10")	GR	PY
DN300 (12")	GS	PZ

POSITION 5 - OPERATING CONDITION Pmax. - Tmax.		
P-max. (abs.)	T-max. °C (°F)	CODE
110kPa (16 psi)	≤ 60 (140)	1
110kPa (16 psi)	≤ 220 (428)	S *

* Only available for explosion group IIB3.

POSITION 7 & 8 - CASING / ELEMENT / RIM MATERIALS	
Material	CODE
Stainless Steel (1.4571)	02

POSITION 9 - HOOD MATERIALS	
Material	CODE
Carbon Steel	1
Stainless Steel	2

POSITION 10 & 11 - HOUSING MATERIALS - CONNECTION			
(Threaded) Sizes DN20, 25, 32, 40, 50 (3/4", 1", 1-1/4", 1-1/2", 2")	Rp	BSPP	NPT
	CODE		
CS (zinc plated)			23
CS (1.0619 zinc plated)	41	42	
Stainless Steel (1.4581) Cast	91	92	93
(Flanged) Sizes DN25 - 300 (1" - 12")	DIN (PN10)	ASME(150#RF)	JIS (10K)
CODE			
CS Sizes DN250 & 300 (10" & 12")	17	19	1C
CS (1.0619) Sizes DN25 - 200 (1" - 8")	37	39	3C
Stainless Steel (1.4571) Sizes DN250 & 300 (10" & 12")	87	89	8C
Stainless Steel (1.4581) Sizes DN25 - 200 (1" - 8")	97	99	9C

POSITION 12 - PORTS	
Number / Location	CODE
Without ports	1

POSITION 13 - BOLTING MATERIAL	
Material	CODE
A4 Stainless Steel	3

POSITION 16 - NAME PLATE	
Material / Language	CODE
Alum / German	7
Alum / English	8

POSITION 18 - PAINT	
Color	CODE
No Paint (CS-Zinc or SST)	0
Blue Epoxy	1
Red Hempadur	9 *

* Design temperature > 60° C

Cashco, Inc.
P.O. Box 6
Ellsworth, KS 67439-0006
PH (785) 472-4461
Fax. # (785) 472-3539
www.cashco.com
email: sales@cashco.com
Printed in U.S.A. 6E00-TB

Cashco GmbH
Handwerkerstrasse 15
15366 Hoppegarten, Germany
PH +49 3342 30968 0
Fax. No. +49 3342 30968 29
www.cashco.com
email: germany@cashco.com

Cashco do Brasil, Ltda.
Al.Venus, 340
Indaiatuba - Sao Paulo, Brazil
PH +55 11 99677 7177
Fax. No.
www.cashco.com
email: brazil@cashco.com