



Valve Concepts, Inc.
ISO Registered Company

OBJECTIVE

The Model 2100 provides ready access to storage tanks for gauging or obtaining samples. The gauge hatch may also provide additional pressure relief as a supplement for normal or emergency venting. These gauge hatches are intended for use where the fire protection afforded by flame arresters is not considered necessary.

TECHNIQUE

Gauge Hatches consist of a hinged swiveling and self-closing cap which sits on an a flanged base. Placing the foot on the serrated treadle opens the cover up to 90°, permitting inspection and easy entry for gauging or sampling. Removing foot from the treadle returns cover to a closed position.

FEATURES

Easy Inspection, Installation and Maintenance. Simplistic design and light weight construction permits easy, convenient handling for inspection, installation and maintenance.

Standard construction has non-locking hatch and includes a thermometer hook and gauge marker.

Special locking design available with a Knob Latch construction.

CONSTRUCTION

Housing / Pallet Material: Available in Aluminum, Carbon Steel, or 316 Stainless Steel.

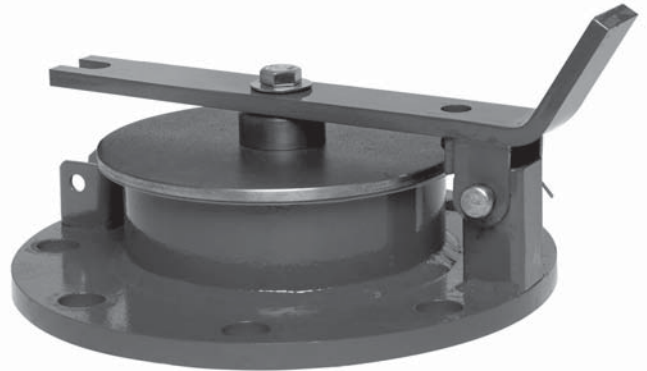
Flange base is flat face and is designed to mate with standard ASME 150# flange.

Available Sizes: 4", 6", 8", 10" and 12"

Pallet Diaphragm Material: FEP TFE (std), Buna-N, EPDM or FKM.

PAINT

Standard: Exterior coating will be a combination of Cashco Paint Specs #S-1777 epoxy and #S-1743 powder coated. Fasteners, seat surface - corrosion resistant parts excluded.

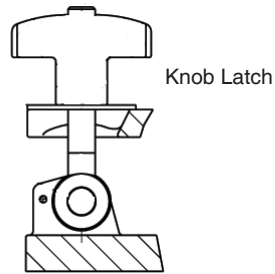
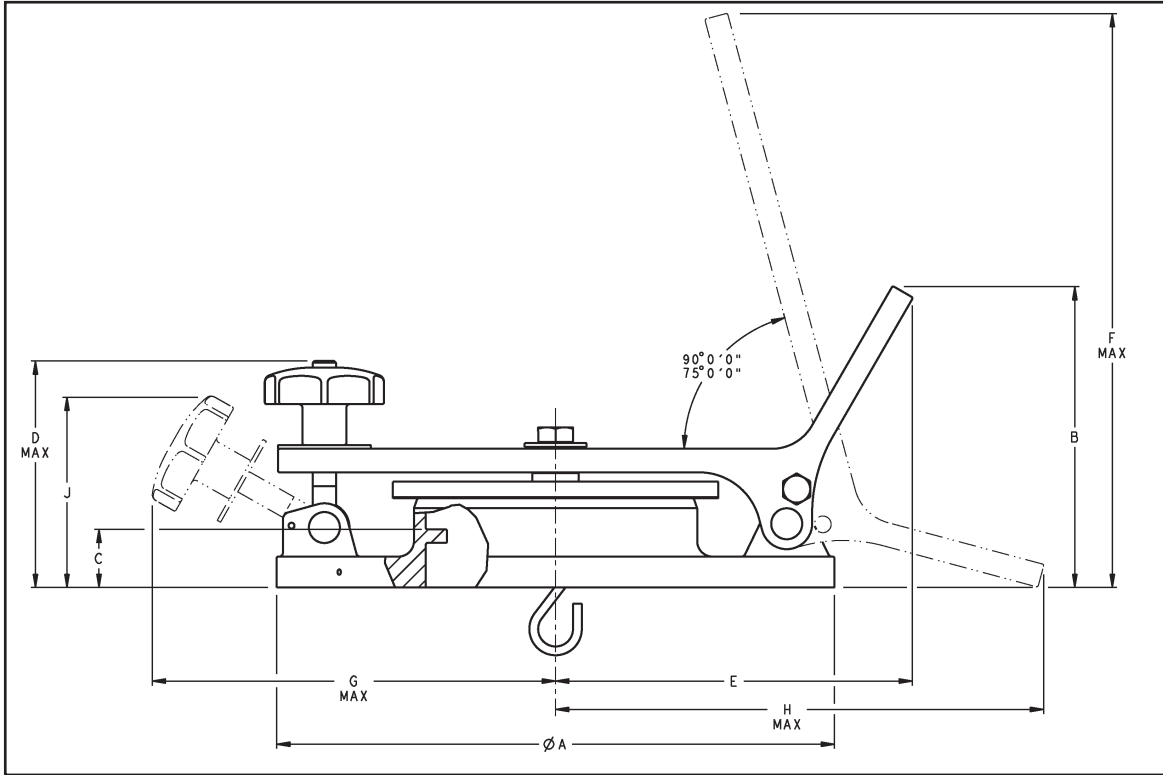


Model 2100
Gauge Hatch
(Non-Locking Design Shown)

Standard Non-Locking Design Minimum Set Point Pressure		
Size	Body Material	oz/in ²
4"	Alum	1.13
	CS, SST	3.10
6"	Alum	0.89
	CS, SST	2.52
8"	Alum	0.88
	CS, SST	2.54
10"	Alum	0.79
	CS, SST	2.30
12"	Alum	0.74
	CS, SST	2.16

Additional loading weight maybe added to cover of Non-Locking Design for higher set point pressures.

Maximum Allowable Working Pressure		
Size	Body Material	psig
4" - 10"	Alum, CS, SST	5
12"	Alum	3
12"	CS, SST	5



DIMENSIONS - inches										Weights - lbs.	
SIZE	ØA	B	C	D MAX	E	F MAX	G MAX	H MAX	J	ALUM	CS/SST
4"	Ø9.00	4.88	0.94	4.00	5.78	9.28	6.56	7.91	3.25	5	12
6"	Ø11.00				6.78	11.25	7.56	8.91		6	16
8"	Ø13.50				8.03	13.62	8.81	10.16		9	24
10"	Ø16.00				9.28	16.00	10.06	11.41		11	31
12"	Ø19.00				10.78	18.97	11.56	12.91		15	43

The contents of this publication are presented for informational purposes only, and while every effort has been made to ensure their accuracy, they are not to be construed as warranties or guarantees, express or implied, regarding the products or services described herein or their use or applicability. We reserve the right to modify or improve the designs or specifications of such product at any time without notice. Cashco, Inc. does not assume responsibility for the selection, use or maintenance of any product. Responsibility for proper selection, use and maintenance of any Cashco, Inc. product remains solely with the purchaser.

2100 Series PRODUCT CODE

04/05/16

Last 6 Characters reserved for SPQ drawing numbers assigned by Cashco Inc.
(Format as - # # # # # #)



POSITION 3 - LATCH	
Mechanism	CODE
None *	0
Knob	2
* Non-Locking	

POSITION 4 - SIZE	
Size	CODE
4"	4
6"	6
8"	8
10"	A
12"	B

POSITION 5 - HOUSING / PALLET	
Material	CODE
Alum/Alum	A
CS/CS	C
SST/SST	S

POSITION 7 - DIAPHRAGM	
Material	CODE
FEP-TFE (Std)	A
Buna-N	B
EPDM	D
FKM	F

POSITION 10 - WEIGHTS	
Loading Weight	CODE
None (Std)	0
SST *	S
* For Set Point Pressures above Min Set Point - Non-Locking Design only.	

POSITION 12 - CERTS	
Description	CODE
None	0
ATEX Certificate *	A
* Forward Completed "EU" Application Recorder prior to quotation. (Without Recorder-Processing of Purchase Order will be delayed).	